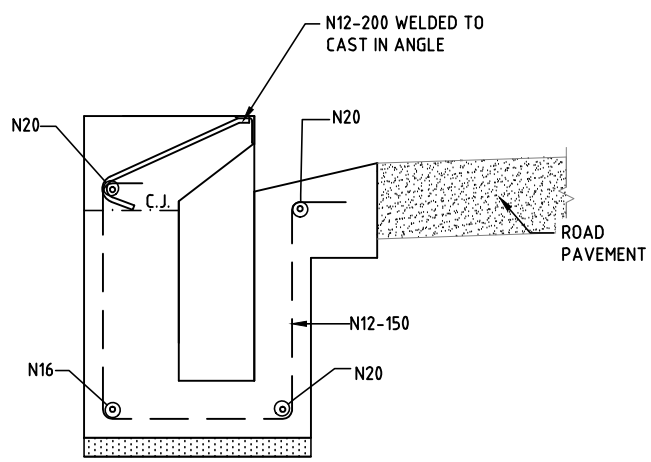
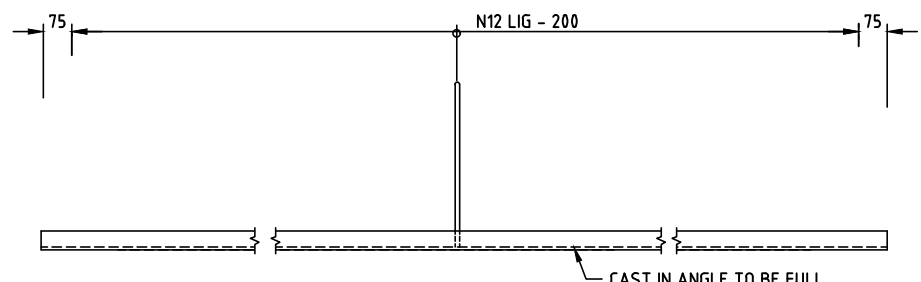


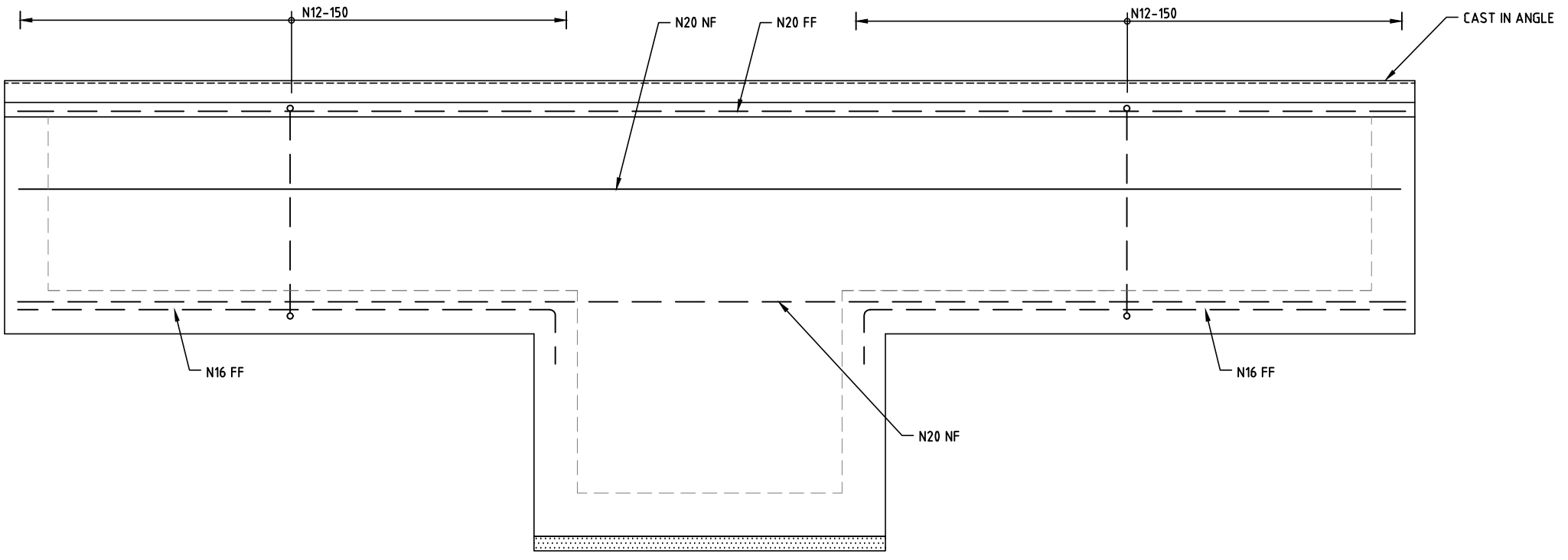
PLAN
NOT TO SCALE
(LID, FRAME AND PIPES OMITTED FOR CLARITY)



SECTION 2
NOT TO SCALE



PLAN
NOT TO SCALE
CAST IN ANGLE



SECTION 1
NOT TO SCALE

- NOTES:**
- DRAWN FOR MAXIMUM EXTENSION OF SIDE ENTRY EACH SIDE OF PIT. REFER TO PROJECT DRAWINGS FOR ACTUAL EXTENSION AND CONFIGURATION.
 - C. J. DENOTES CONSTRUCTION JOINT.
 - NF DENOTES 'NEAR FACE'.
 - FF DENOTES 'FAR FACE'.
 - REFER TO STANDARD DRAWING CS3117 FOR SHEET 1
 - ALL DIMENSIONS ARE IN MILLIMETRES UNLESS NOTED OTHERWISE.

No.	DESCRIPTION	DATE	NAME	DEPT/COMPANY
0	ISSUED AS A STANDARD DRAWING	SEPT 2017	J.LEESON	EES/DIPL
AMENDMENTS				

WARNING
BEWARE OF UNDERGROUND SERVICES.
THE LOCATIONS OF UNDERGROUND SERVICES ARE APPROXIMATE ONLY AND THEIR EXACT POSITION SHOULD BE PROVEN ON SITE. NO GUARANTEE IS GIVEN THAT ALL EXISTING SERVICES ARE SHOWN.

DRAWN	SHW	CHECKED	GC
DATE	NOV 12	DATE	FEB 13
DESIGNED	GC	CHECKED	GC
DATE	NOV 12	DATE	FEB 13
DESIGN LEADER	S.HATZI	DESIGN DIRECTOR	S.JACKSON
DATE	1/09/2017	DATE	1/09/2017



STANDARD DRAWINGS DRAINAGE				
SIDE ENTRY PIT EXTENSION CLASS D FRAME AND LID - REINFORCEMENT DETAILS				
FILE No.	ASSET No.	SHEET No.	DRAWING No.	AMEND.
-	-	2 OF 2	CS3118	0
				SHEET SIZE A1