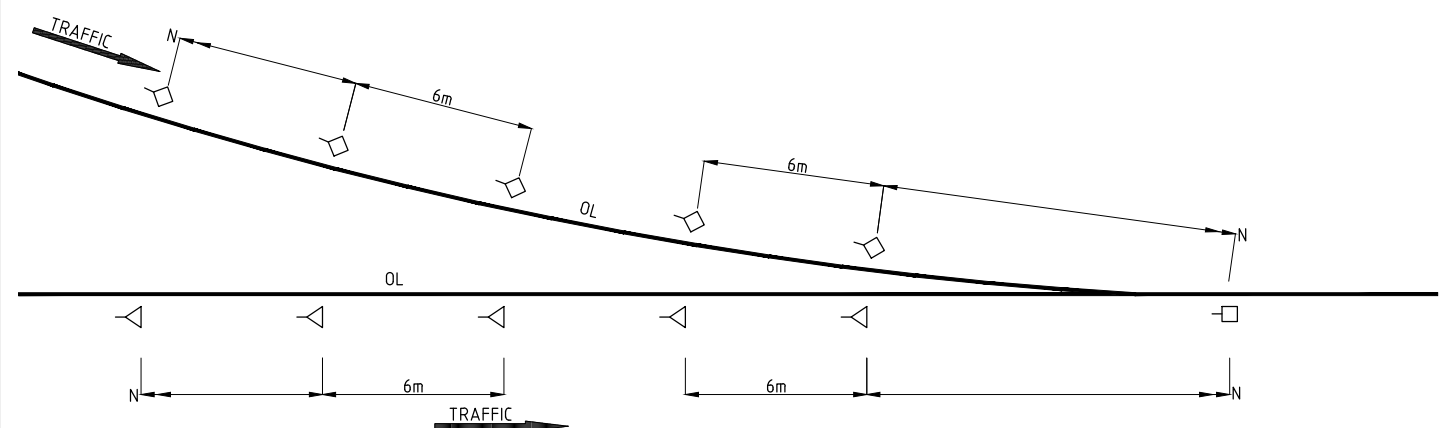
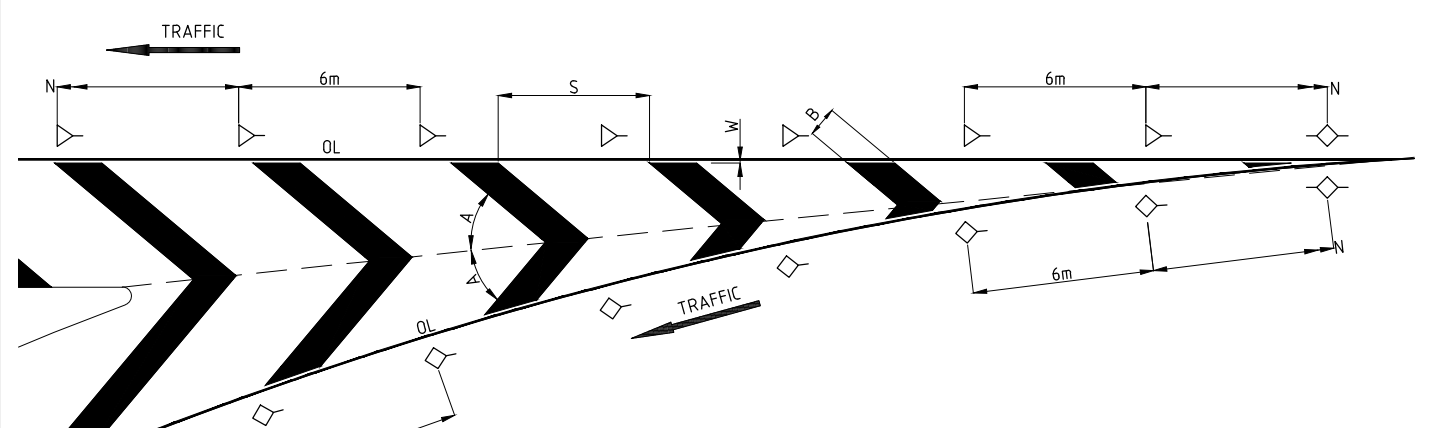


**DETAIL 1**  
**APPROACH TO (OR DEPARTURE FROM)**  
**MEDIAN ISLAND (TWO-WAY FLOW)**  
 SPACING SHOWN IS INDICATIVE ONLY

**DIMENSIONS:**  
 A= 45 DEGREES MAXIMUM FOR ROAD SPEED LESS THAN 90km/hr  
 30 DEGREES FOR ROAD SPEED 90km/hr OR GREATER  
 B= 1.0m MIN  
 S= 3m FOR SPEEDS UP TO AND INCLUDING 90km/hr  
 5m FOR SPEEDS GREATER THAN 90km/hr  
 W= 100mm OFFSET

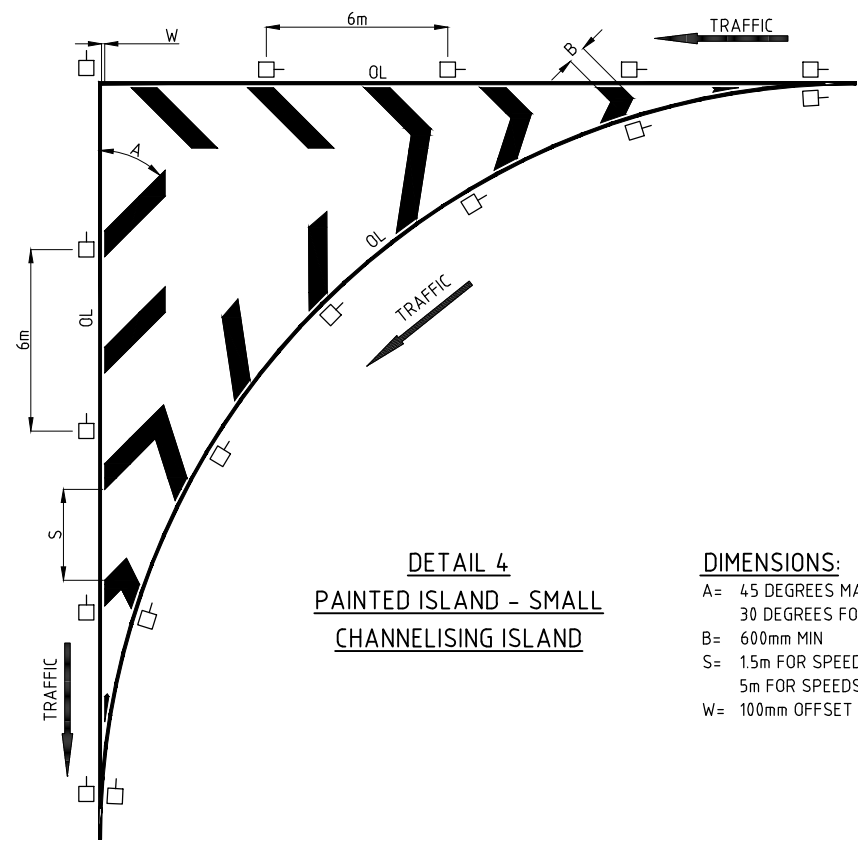


**DETAIL 2**  
**LARGE RAISED OR UNPAVED TRAFFIC**  
**ISLAND WITH SUBSEQUENT MERGE**  
 SPACING SHOWN IS INDICATIVE ONLY



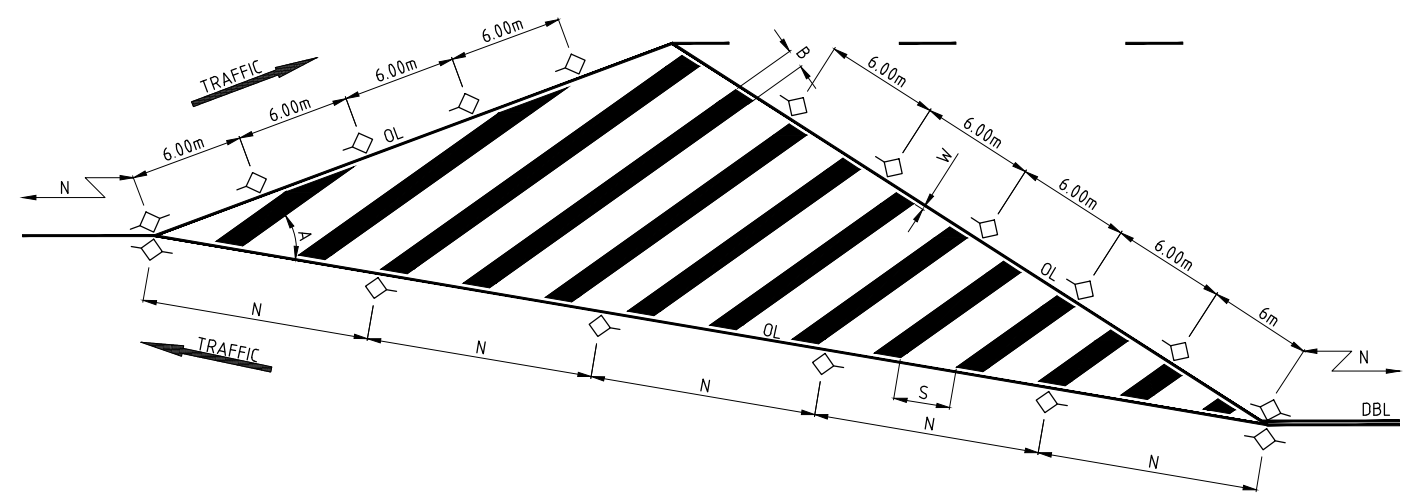
**DETAIL 3**  
**LARGE RAISED OR UNPAVED TRAFFIC**  
**ISLAND WITH DIVERGING TRAFFIC**  
 SPACING SHOWN IS INDICATIVE ONLY

**DIMENSIONS:**  
 A= 45 DEGREES MAXIMUM FOR ROAD SPEED LESS THAN 90km/hr  
 30 DEGREES FOR ROAD SPEED 90km/hr OR GREATER  
 B= 1.0m MIN  
 S= 3m FOR SPEEDS UP TO AND INCLUDING 90km/hr  
 5m FOR SPEEDS GREATER THAN 90km/hr  
 W= 100mm OFFSET



**DETAIL 4**  
**PAINTED ISLAND - SMALL**  
**CHANNELISING ISLAND**

**DIMENSIONS:**  
 A= 45 DEGREES MAXIMUM FOR ROAD SPEED LESS THAN 90km/hr  
 30 DEGREES FOR ROAD SPEED 90km/hr OR GREATER  
 B= 600mm MIN  
 S= 1.5m FOR SPEEDS UP TO AND INCLUDING 90km/hr  
 5m FOR SPEEDS GREATER THAN 90km/hr  
 W= 100mm OFFSET



**DETAIL 5**  
**PAINTED ISLAND - MEDIAN ISLAND**

**DIMENSIONS:**  
 A= 45 DEGREES MAXIMUM FOR ROADS SPEEDS LESS THAN 90km/hr  
 30 DEGREES FOR ROADS SPEEDS 90km/hr OR GREATER  
 B= 1.0m MIN  
 S= 3m FOR SPEEDS UP TO AND INCLUDING 90km/hr  
 5m FOR SPEEDS GREATER THAN 90km/hr  
 W= 100mm OFFSET

- NOTES:**
1. WIDTHS SHOWN APPLY TO NEW WORKS.
  2. WHEN RE-LINEMARKING, ADOPT EXISTING LINE WIDTHS UNLESS DIRECTED OTHERWISE BY SUPERINTENDENT.
  3. ROAD SPEED REFERENCE ON THIS DRAWING REFERS TO DESIGN ROAD SPEEDS.
  4. ON SMALL ISLANDS SPACING "S" MAYBE ADJUSTED BY SUPERINTENDENT.
  5. ON SMALL PAINTED ISLANDS, A MINIMUM OF TWO RRPMs SHOULD BE VISIBLE ON ANYONE EDGE. ADJUST SPACING OF RRPMs TO ALLOW EVEN GAPS BETWEEN.
  6. REFER TO TABLE 1 ON CS-34.01 FOR VALUES OF "N".
  7. THIS DRAWING IS TO BE READ IN CONJUNCTION WITH CS-34.01.

**LEGEND:**  
 OL OUTLINE

No.	DESCRIPTION	DATE	NAME	DEPT./COMPANY
4	NOTE 7 ADDED	DEC 2018	H.ZHU	EES/DIPL
3	"W" REDEFINED AND NOTES 1,2 & 6 ADDED	FEB 2018	S.JALIL	EES/DIPL
2	"W" REDEFINED	DEC 2017	S.SHI	EES/DIPL
1	"S" REDEFINED AND NOTES ADDED	NOV 2017	J.LEESON	EES/DIPL
0	ISSUED AS A STANDARD DRAWING	SEPT 2017	J.LEESON	EES/DIPL

**WARNING**  
 BEWARE OF UNDERGROUND SERVICES.  
 THE LOCATIONS OF UNDERGROUND SERVICES ARE APPROXIMATE ONLY AND THEIR EXACT POSITION SHOULD BE PROVEN ON SITE. NO GUARANTEE IS GIVEN THAT ALL EXISTING SERVICES ARE SHOWN.

DRAWN J.LEESON	CHECKED S.HATZI
DATE MAY 2017	DATE MAY 2017
DESIGNED	CHECKED
DATE	DATE
DESIGN LEADER S.HATZI	DESIGN DIRECTOR S.JACKSON
DATE 6/09/2017	DATE 6/09/2017



STANDARD DRAWINGS TRAFFIC CONTROL DEVICES				
PAVEMENT MARKINGS - CHEVRONS AND RRPM'S SHEET 2				
FILE No.	ASSET No.	SHEET No.	DRAWING No.	AMEND.
-	-	2 OF 2	CS-3402	4
				SHEET SIZE A1