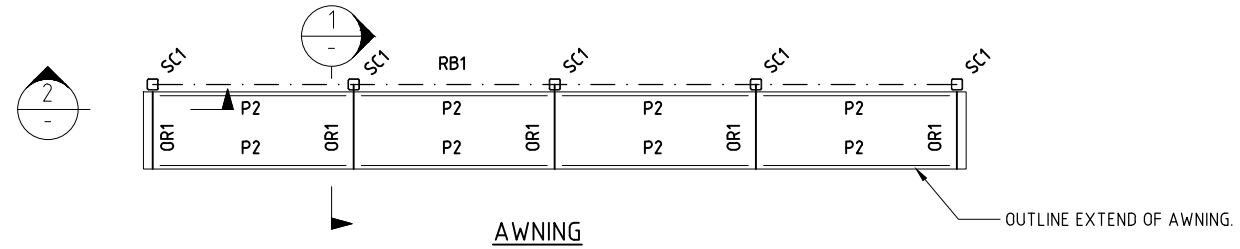


MAIN ROOF



AWNING

ROOF FRAMING PLANS
SCALE B

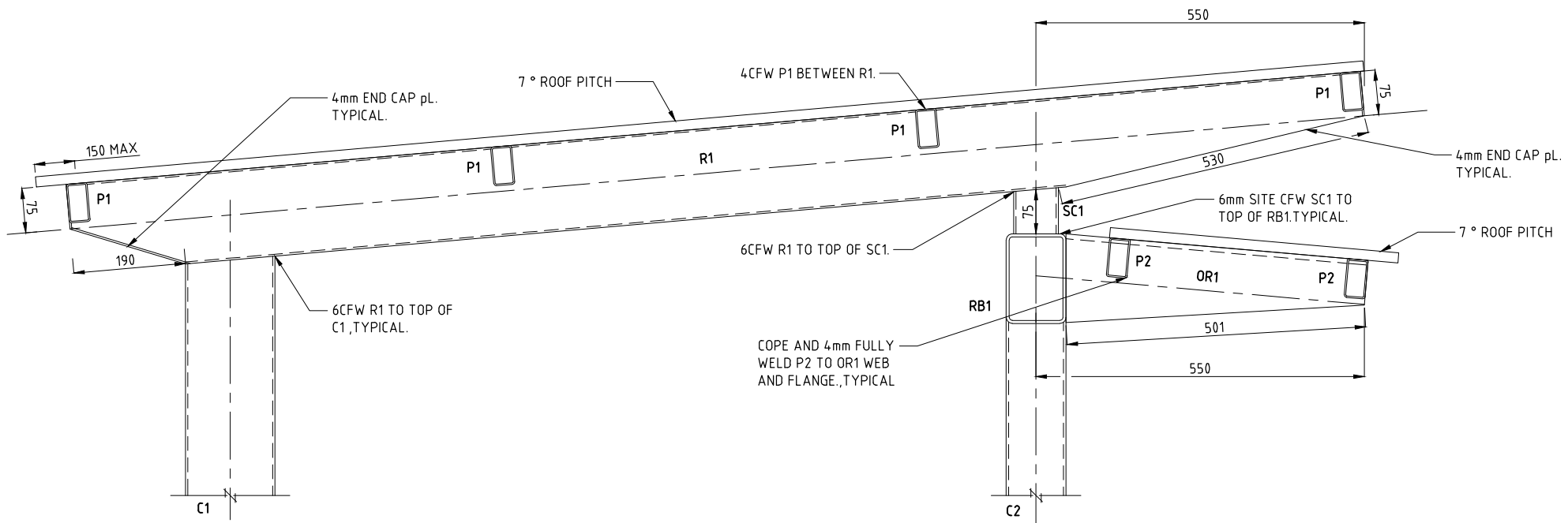
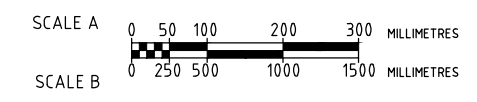
STRUCTURAL MEMBER SCHEDULE
STRUCTURAL STEELWORK

| MARK | DESCRIPTION | REINFORCEMENT / COMMENTS |
|------|-----------------|--------------------------|
| C1 | 150x100x4.0 RHS | COLUMN |
| C2 | 100x4.0 SHS | COLUMN |
| R1 | 150x100x4.0 RHS | RAFTER. |
| RB1 | 150x100x5.0 RHS | ROOF BEAM. |
| OR1 | 155BT16 | OUTRIGGER. |
| SC1 | 75x75x3.0 SHS | STUB COLUMN |
| P1 | 65x35x2.5 RHS | PURLIN. |
| P2 | 65x35x2.5 RHS | PURLIN. |

- 3mm END CAP pL. ALL EXPOSED HOLLOW SECTION ENDS U.N.O.
- ALL HOLLOW SECTIONS TO BE GRADE C350 L0

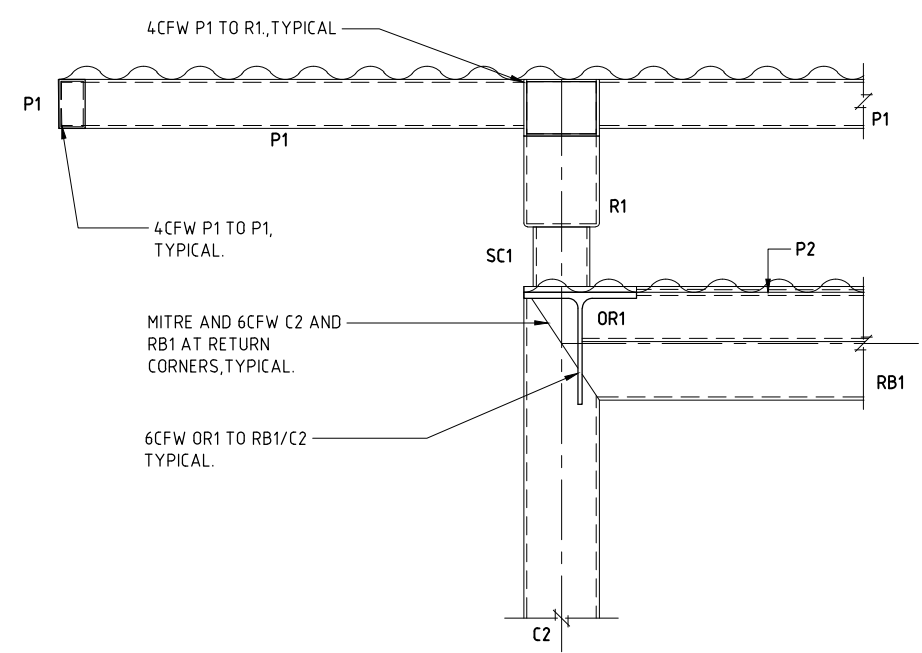
ROOF NOTES:

- 0.48 BMT "BLUESCOPE LYSAGHT" COLORBOND CUSTOM ORB ROOF SHEETING (OR EQUAL APPROVED BY SUPERINTENDENT) CREST FIXED TO RELEVANT CURRENT DTC REQUIREMENT AS MENTIONED ON STRUCTURAL NOTES, CS-3712.



TYPICAL ROOF FRAMING DETAIL

DETAIL 1
SCALE A



TYPICAL ROOF FRAMING DETAIL

DETAIL 2
SCALE A

DRAWING IS TYPICAL ONLY. OBTAIN BUILDING PERMIT BEFORE CONSTRUCTION.

| No. | DESCRIPTION | DATE | NAME | DEPT./COMPANY |
|------------|---|----------|------|---------------|
| 0 | RENUMBERED AND REISSUED WITH DDA COMPLIANCE | APR 2022 | S.J. | EES/DIPL |
| AMENDMENTS | | | | |

WARNING
BEWARE OF UNDERGROUND SERVICES. THE LOCATION OF UNDERGROUND SERVICES ARE APPROXIMATE ONLY AND THEIR EXACT POSITION SHOULD BE PROVEN ON SITE. NO GUARANTEE IS GIVEN THAT ALL EXISTING SERVICES ARE SHOWN.

CONCURRED STRUCTURAL ONLY
NORTHERN TERRITORY GOVERNMENT
DEPARTMENT OF INFRASTRUCTURE, PLANNING & LOGISTICS
Level 4, Highway House, Palmerston Circuit, Palmerston
PO Box 61, Palmerston NT 0831
Signed: *Jorge Mu* 06/04/22
Registration No.: 33896ES

| | | | |
|---------------|----------|-----------------|----------|
| DRAWN | DIPL | CHECKED | DIPL |
| DATE | APR 2022 | DATE | APR 2022 |
| DESIGNED | DIPL | CHECKED | DIPL |
| DATE | APR 2022 | DATE | APR 2022 |
| DESIGN LEADER | DIPL | DESIGN DIRECTOR | DIPL |
| DATE | APR 2022 | DATE | APR 2022 |



| | | | | |
|---|-----------|-----------|-------------|------------------|
| STANDARD DRAWINGS BUS SHELTERS & ASSOCIATED INFRASTRUCTURE | | | | |
| SHELTER - TYPE 14C - 4 BAY ROOF FRAMING PLANS & DETAILS | | | | |
| FILE No. | ASSET No. | SHEET No. | DRAWING No. | AMEND. |
| - | - | 6 OF 6 | CS3717 | 0 |
| | | | | SHEET SIZE A1 |