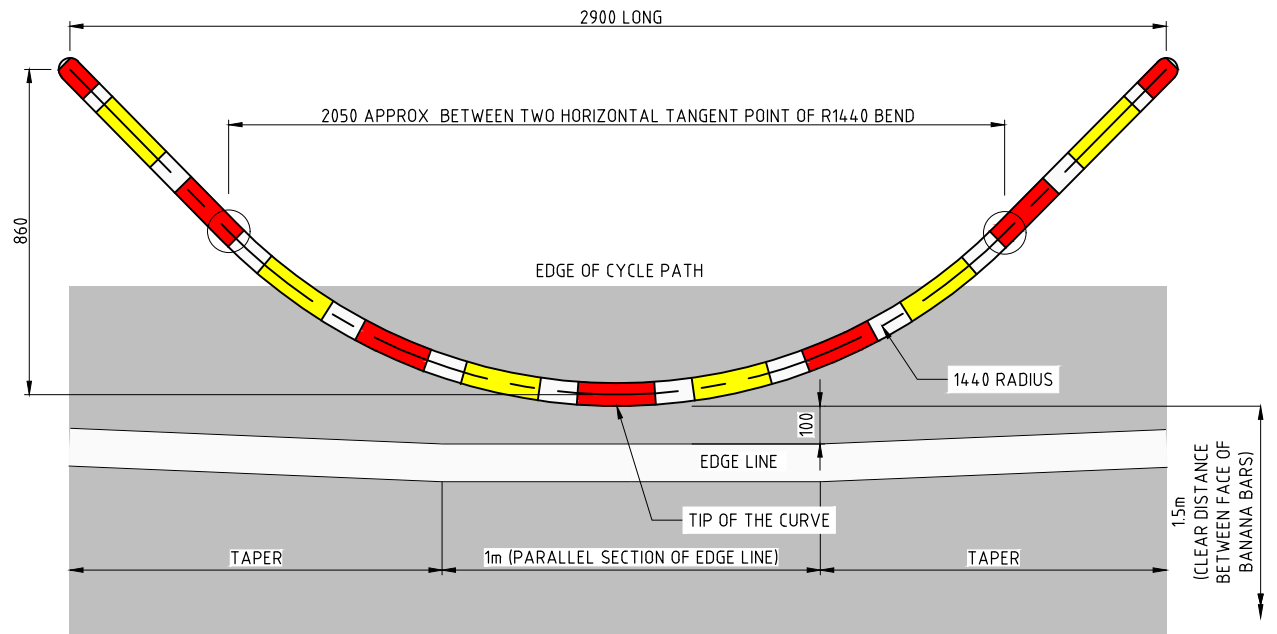


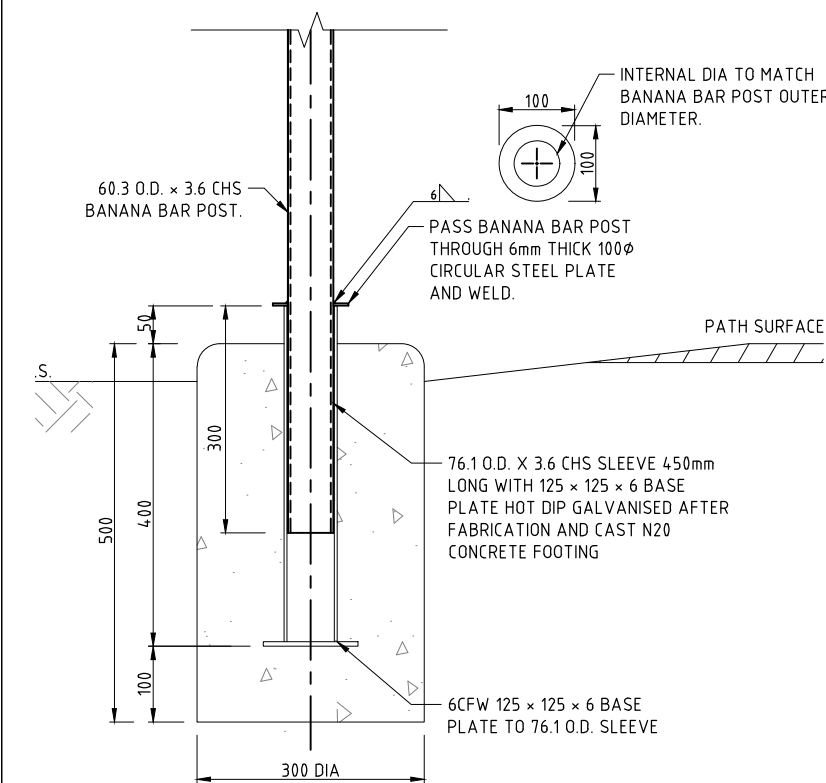
ELEVATION OF BANANA BAR
NOT TO SCALE



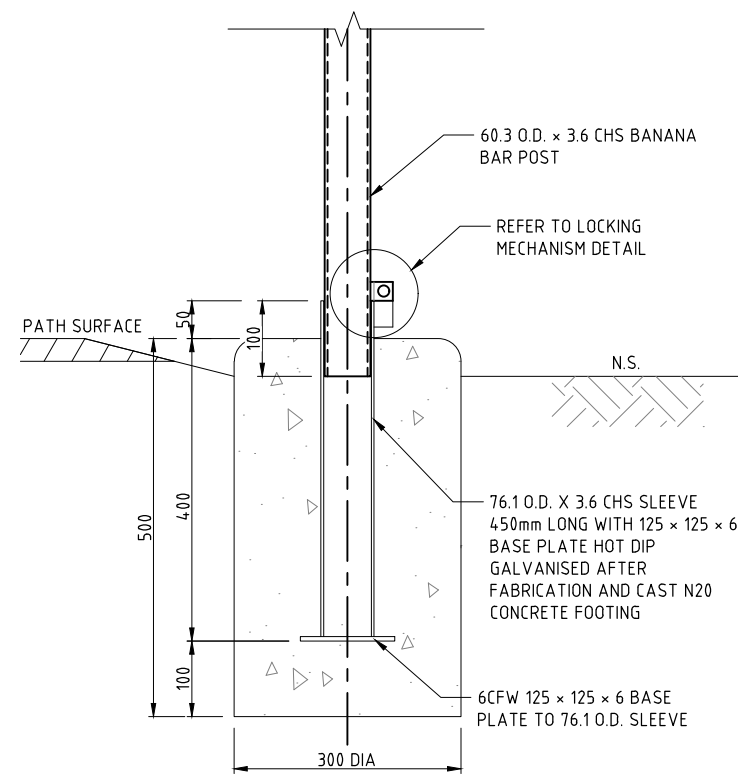
BANANA BAR DETAIL
NOT TO SCALE

NOTES:

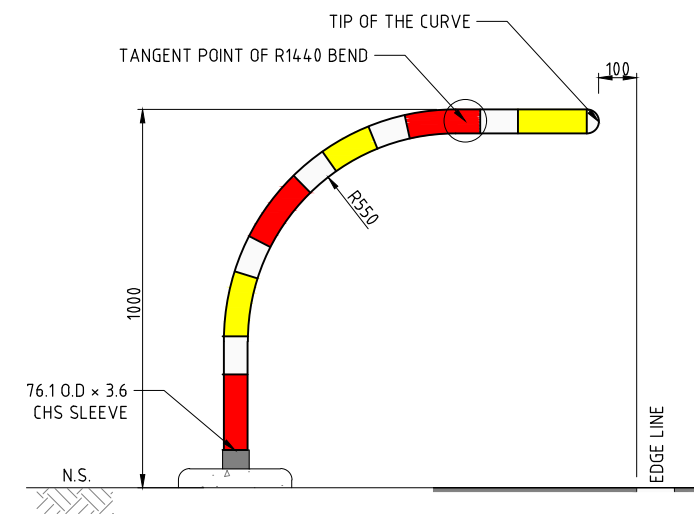
1. ALL STEEL USED SHALL BE GALVANISED STEEL GRADE 250 TO AS4792
2. REMOVE ALL OIL AND GREASE. ABRASE SURFACE OR BRUSH BLAST BEFORE APPLYING PRIMER.
3. PROVIDE ONE COAT EPOXY PRIMER GPC NO. C-29/7T (DULUX "LUXEPOXY 4" OR APPROCED EQUAL)
4. TOP COAT YELLOW GLOSS POLYURETHANE GPC NO. P-171/1 (DULUX "LUXATHANE R" OR APPROVED EQUAL) ONLY FOR SECTION ABOVE BURIED SLEEVE.
5. THESE ARE MOVEMENT BARRIERS, NOT CRASH BARRIERS. DO NOT USE TO PROTECT VEHICLES FROM HAZARDS, NOR TO PROTECT ROADSIDE EQUIPMENT FROM ERRANT VEHICLES.
6. USE 100mm WIDE RETRO-REFLECTIVE RED & WHITE CLASS 2 TAPE.
7. ALL DIMENSIONS ARE IN MILLIMETRES UNLESS NOTED OTHERWISE.



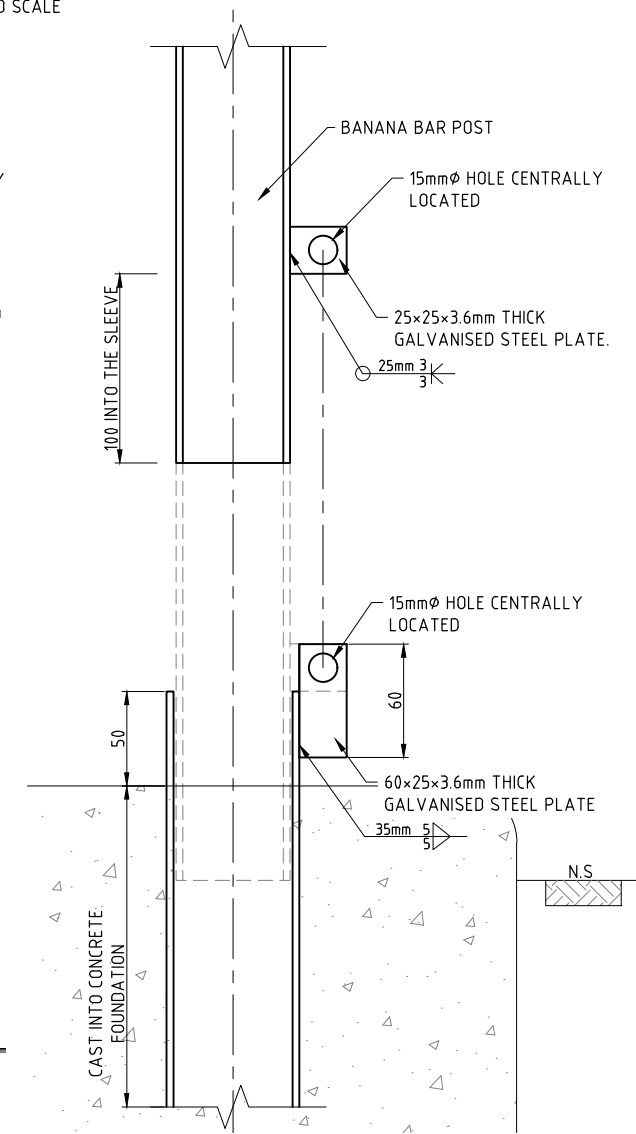
HINGE FOOTING DETAILS
NOT TO SCALE



LOCKING FOOTING DETAIL
NOT TO SCALE



SIDE VIEW OF BANANA BAR
NOT TO SCALE



LOCKING MECHANISM DETAILS
NOT TO SCALE

No.	DESCRIPTION	DATE	NAME	DEPT/COMPANY
1	POST DETAIL AMENDED	AUG 2020	S.SHI	EES
0	ISSUED AS STANDARD DRAWING	JUN 2020	S.SHI	EES
AMENDMENTS				

WARNING
BEWARE OF UNDERGROUND SERVICES. THE LOCATIONS OF UNDERGROUND SERVICES ARE APPROXIMATE ONLY AND THEIR EXACT POSITION SHOULD BE PROVEN ON SITE. NO GUARANTEE IS GIVEN THAT ALL EXISTING SERVICES ARE SHOWN.

DRAWN	CHECKED
S.SHI	S.HATZI
DATE JUN 2020	DATE JUN 2020
DESIGNED -	CHECKED -
DATE -	DATE -
DESIGN LEADER S.HATZI	DESIGN DIRECTOR -
DATE JUN 2020	DATE -



STANDARD DRAWINGS
KERBING, FENCING & LANDSCAPING
CYCLE/SHARED PATH VEHICLE RESTRICTIVE "BANANA BAR" BARRIER

FILE No.	ASSET No.	SHEET No.	DRAWING No.	AMEND.	SHEET SIZE
-	-	1 OF 1	CS3320	1	A1