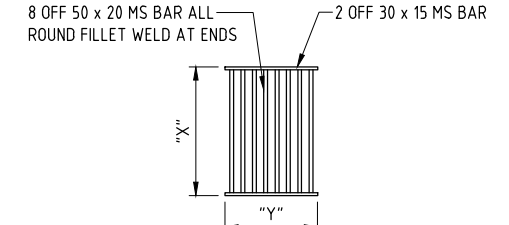


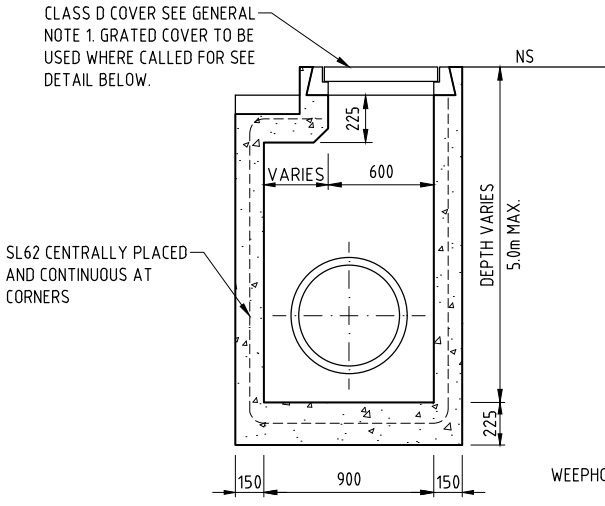
DETAIL 2  
NOT TO SCALE  
SEATING & WELD

GRATE TABLE

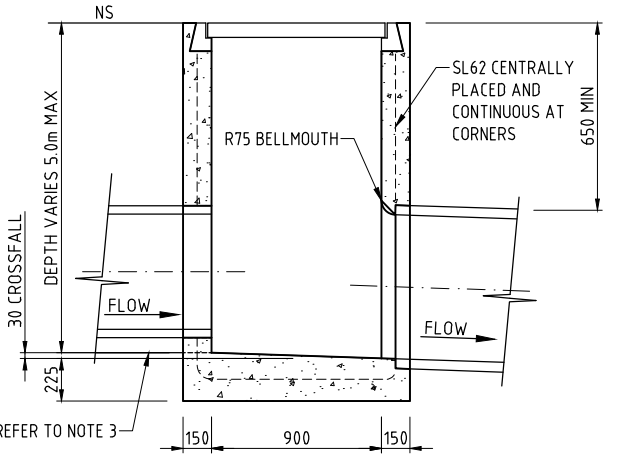
GRATE	"X"	"Y"
TYPE 1	530	530
TYPE 2	680	530
TYPE 3	680	490



DETAIL 1  
NOT TO SCALE  
STEEL GRATE

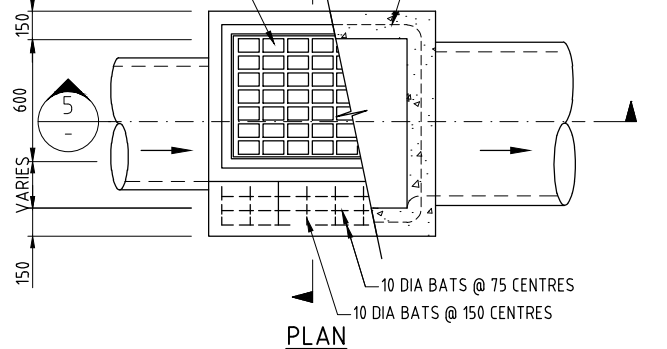


REFER NOTES BELOW FOR MANHOLE INTERNAL WIDTH  
SECTION 4  
NOT TO SCALE



SECTION 5  
NOT TO SCALE

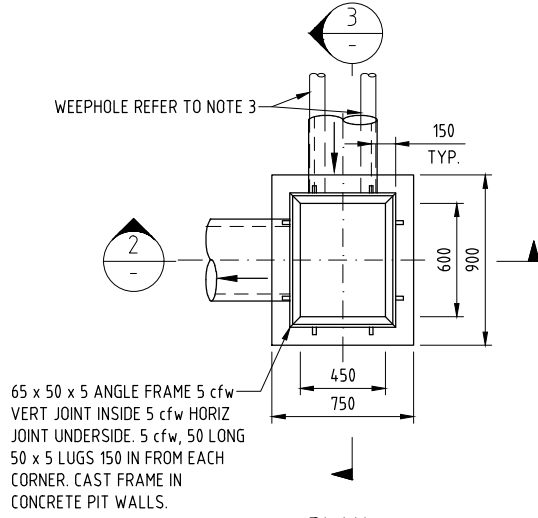
600 x 900 CORNER AND FRAME CLASS 'D' IN ALL LOCATIONS SEE NOTE 1. COVERS AND FRAME INTERSTICES FILLED WITH N25 CONCRETE



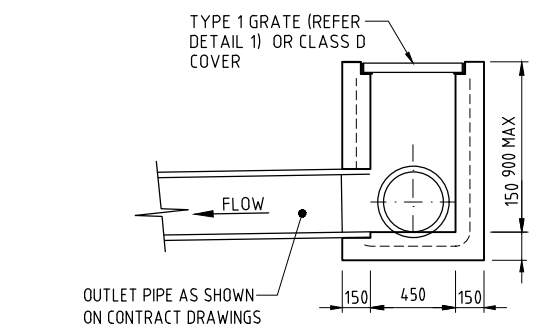
PLAN

STORMWATER MANHOLE (WIDTH > 900)

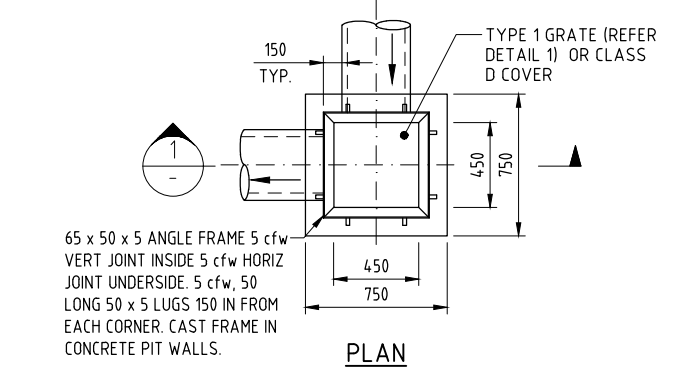
MANHOLE WIDTH:  
FOR SINGLE PIPE:-  
INTERNAL WIDTH EQUALS EXTERNAL DIA OF LARGEST PIPE + 75mm WITH A MIN OF 900mm  
FOR DOUBLE PIPES INTERNAL WIDTH EQUALS THE SUM OF EXTERNAL DIA + 325mm (MAX)



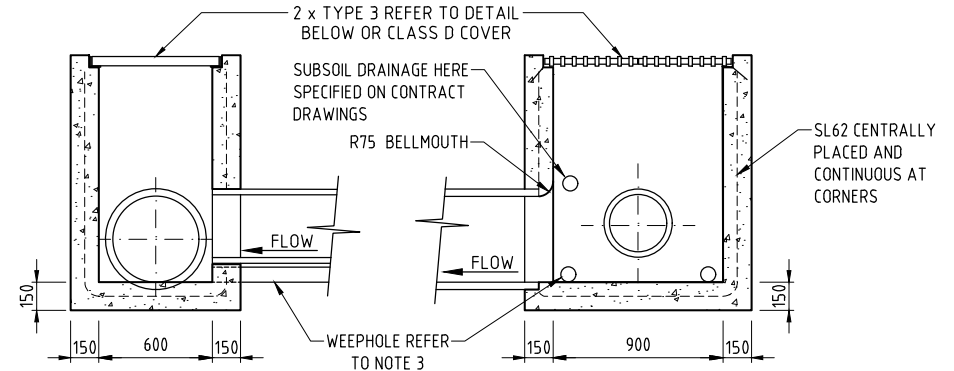
600 x 450 MANHOLE OR GRATED INLET PIT



SECTION 1  
NOT TO SCALE

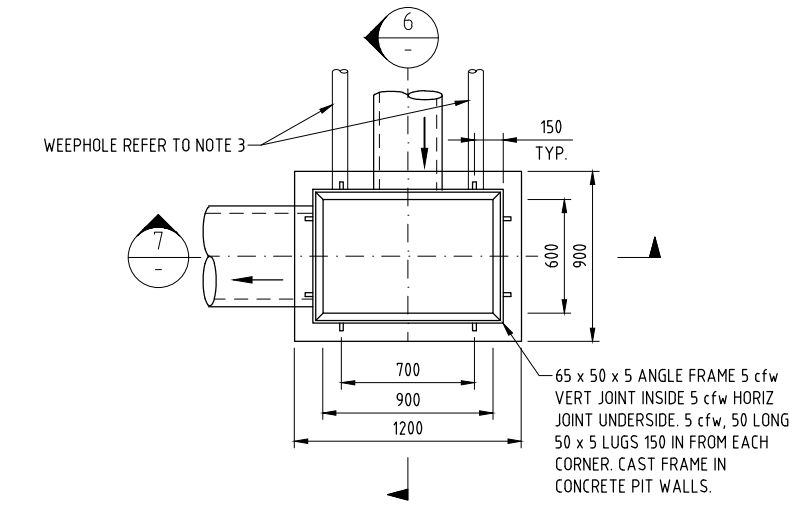


450 x 450 MANHOLE OR GRATED INLET PIT

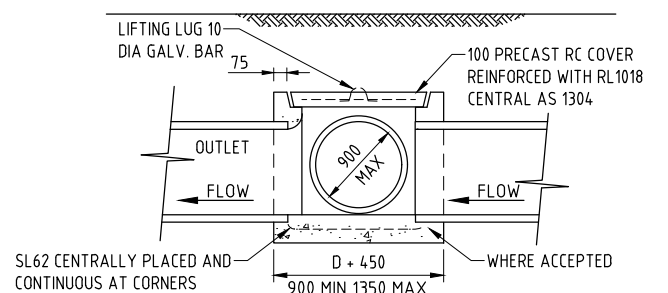


SECTION 6  
NOT TO SCALE

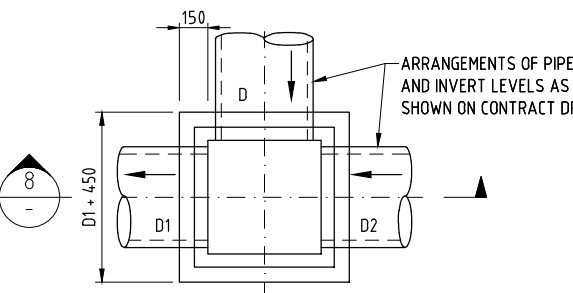
SECTION 7  
NOT TO SCALE



900 x 600 MANHOLE OR GRATED INLET PIT



SECTION 8  
NOT TO SCALE



PLAN UNDERGROUND PIT

- NOTES:
- GATIC TYPE COVERS OR APPROVED SIMILAR SHALL BE USED. FOR ALL LOCATIONS USE HEAVY DUTY 'CLASS D' 600 x 990 COVER OR EQUIVALENT. COVERS TO BE SET FLUSH AND AT GRADE WITH FINISHED SURFACE.
  - ARRANGEMENTS OF INLET AND OUTLET STORMWATER PIPES SHOWN IN THIS DRAWING ARE INDICATIVE.
  - WEEPHOLES SHALL BE PROVIDED ON UPSTREAM SIDE IN ALL PIT. CONNECT 1000 LONG x 100 DIA. SEWER STRENGTH SLOTTED P.V.C. PIPES WITH END CAPS AT EACH WEEPHOLE AND WRAP IN GEOTEXTILE MATERIAL AND BED AS SHOWN. CONNECT TO SIDE DRAIN WHERE APPROPRIATE.
  - CONCRETE FOR PITS TO BE CLASS N25 WITH SL62 MESH PLACED CENTRALLY.
  - FOR FIXING OF PRECAST COMPONENTS AND ANY PATCHING OF PITS USE MORTAR MIXED WITH 'BONDCRETE' OR SIMILAR APPROVED.
  - ALL EXPOSED STEELWORK SHALL BE CLEANED AFTER FABRICATION AND HOTDIPPED GALVANISED.
  - COMMERCIALY PRODUCED GRATES MAY BE USED BUT MUST BE CYCLE SAFE WHEN ON CARRIAGEWAYS OR SIMILAR CYCLE ACCESSIBLE AREAS.
  - ACCESS TO DRAINAGE STRUCTURES SHALL COMPLY WITH WORKPLACE HEALTH AND SAFETY REQUIREMENTS.
  - REFER TO CS3121 AND CS3122 FOR SUBSOIL DRAINAGE AROUND PITS.
  - ALL DIMENSIONS ARE IN MILLIMETRES UNLESS NOTED OTHERWISE.

WARNING

BEWARE OF UNDERGROUND SERVICES. THE LOCATIONS OF UNDERGROUND SERVICES ARE APPROXIMATE ONLY AND THEIR EXACT POSITION SHOULD BE PROVEN ON SITE. NO GUARANTEE IS GIVEN THAT ALL EXISTING SERVICES ARE SHOWN.

DRAWN	BYRNE	CHECKED	S.HATZI
DATE	APRIL 2017	DATE	APRIL 2017
DESIGNED	BYRNE	CHECKED	S.HATZI
DATE	APRIL 2017	DATE	APRIL 2017
DESIGN LEADER	S.HATZI	DESIGN DIRECTOR	S.JACKSON
DATE	1/09/2017	DATE	1/09/2017



STANDARD DRAWINGS DRAINAGE			
MANHOLES AND INLET PITS			
FILE No.	ASSET No.	SHEET No.	DRAWING No.
-	-	1 of 1	CS3119
AMEND.	SHEET SIZE		
1	A1		

No.	DESCRIPTION	DATE	NAME	DEPT / COMPANY
1	NOTES UPDATED	NOV 2017	J.LEESON	EES/DIPL
0	ISSUED AS A STANDARD DRAWING	SEPT 2017	J.LEESON	EES/DIPL
AMENDMENTS				