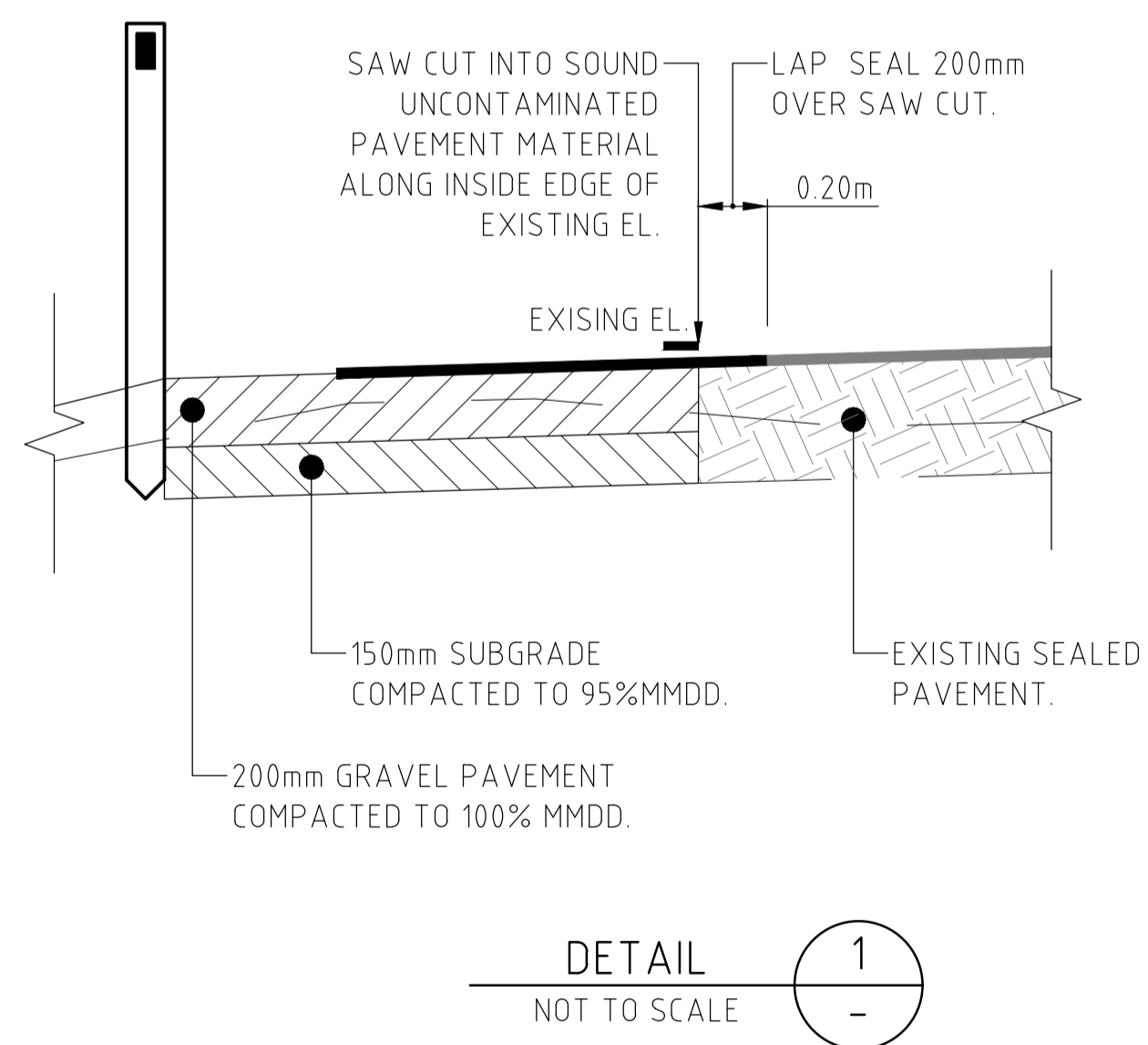


**TYPICAL CROSS SECTION
SEALED ROADS**

REFER TO TABLE FOR TRAFFIC LANE,
SHOULDER AND CARRIAGEWAY WIDTHS.



CARRIAGEWAY WIDTH	SEAL	TRAFFIC LANE	SHOULDER
9 m	8 m	2 x 3.0 m	2 x 1.5 m
9 m	9 m	2 x 3.5 m	2 x 1.0 m
10 m	9 m	2 x 3.5 m	2 x 1.5 m
10 m	8 m	2 x 3.0 m	2 x 2.0 m
11 m	9 m	2 x 3.5 m	2 x 2.0 m
12 m	9 m	2 x 3.5 m	2 x 2.5 m
33 m (DUAL)	UP TO 26 m	UP TO 3 x 3.5 m	2 x 1 m UP TO 2 x 2.5 m
41 m (DUAL)	UP TO 28 m	UP TO 3 x 3.5 m	2 x 1 m UP TO 2 x 3.5 m

NOTES

- REFER TO STANDARD DRAWINGS CS3002 AND CS3003.
- CHECK AAPA CLEARANCE CERTIFICATES PRIOR TO WORKS.
- PREFERRED FILL BATTER SLOPE IS 1:6. ABSOLUTE FILL BATTER SLOPE IS 1:4.

No.	DESCRIPTION	DATE	NAME	DEPT./COMPANY
1	TABLE REVISED. DETAIL ADDED	SEP 2021	N.K	EES/DIPL
0	ISSUED AS A STANDARD DRAWING	SEPT 2017	J.LEESON	EES/DIPL
AMENDMENTS				

WARNING
BEWARE OF UNDERGROUND SERVICES.
THE LOCATIONS OF UNDERGROUND SERVICES ARE APPROXIMATE ONLY AND THEIR EXACT POSITION SHOULD BE PROVEN ON SITE. NO GUARANTEE IS GIVEN THAT ALL EXISTING SERVICES ARE SHOWN.

DRAWN J.LEESON	CHECKED S.HATZI
DATE MARCH 2017	DATE MARCH 2017
DESIGNED	CHECKED
DATE	DATE
DESIGN LEADER S.HATZI	DESIGN DIRECTOR S.JACKSON
DATE 1/09/2017	DATE 1/09/2017



STANDARD DRAWINGS
MAINTENANCE WORKS - ROADS

**TYPICAL CROSS-SECTION
FOR SEALED RURAL ROADS**

FILE No.	ASSET No.	SHEET No.	DRAWING No.	AMEND.	SHEET SIZE
-	-	1 OF 1	CS3610	1	A1