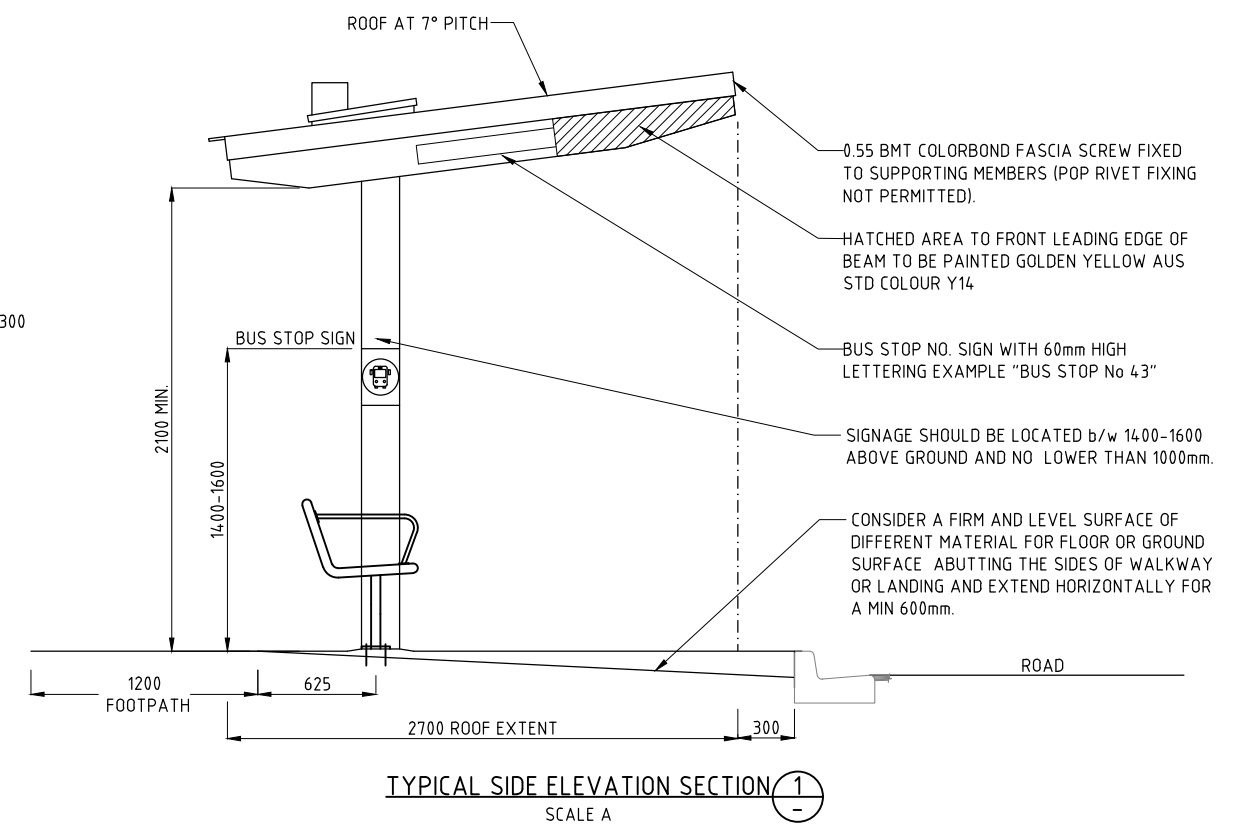
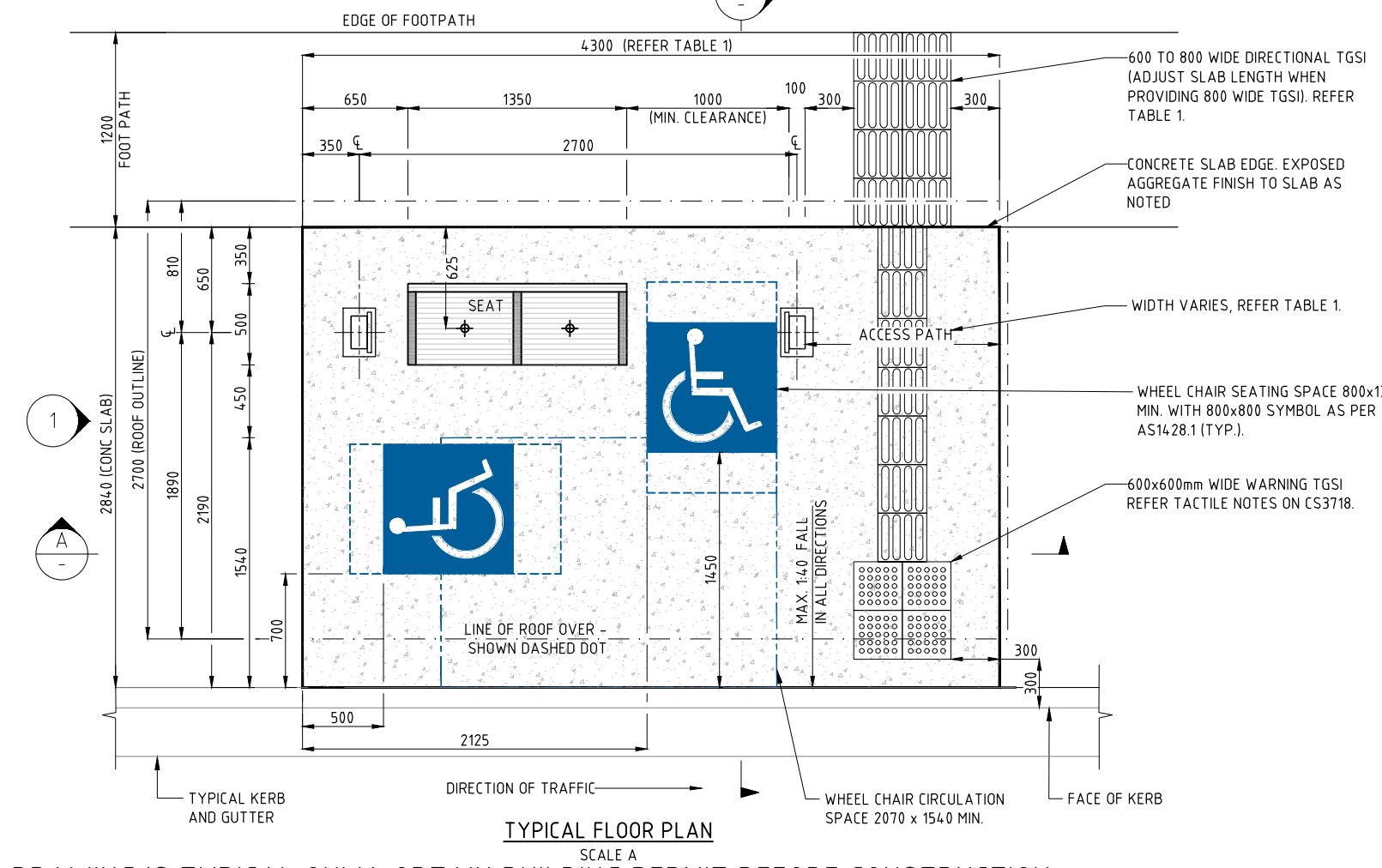


TABLE 1: ACCESS PATH & SLAB SIZE

DESIGN PARAMETERS	600 WIDE DIRECTIONAL TGSII	800 WIDE DIRECTIONAL TGSII
ACCESS PATH	1200	1400
SLAB SIZE	4300 x 2840	4500 x 2840



DRAWING IS TYPICAL ONLY. OBTAIN BUILDING PERMIT BEFORE CONSTRUCTION.



No.	DESCRIPTION	DATE	NAME	DEPT./COMPANY
0	RENUMBERED AND REISSUED WITH DDA COMPLIANCE	APR 2022	S.J.	EES/DIPL
AMENDMENTS				

**WARNING**  
BEWARE OF UNDERGROUND SERVICES. THE LOCATION OF UNDERGROUND SERVICES ARE APPROXIMATE ONLY AND THEIR EXACT POSITION SHOULD BE PROVEN ON SITE. NO GUARANTEE IS GIVEN THAT ALL EXISTING SERVICES ARE SHOWN.

**CONCURRED STRUCTURAL ONLY**  
NORTHERN TERRITORY GOVERNMENT  
DEPARTMENT OF INFRASTRUCTURE, PLANNING & LOGISTICS  
Level 4, Highway House, Palmerston Circuit, Palmerston  
PO Box 61, Palmerston NT 0831  
Signed: *Jorge Mu* 06/04/22  
Registration No.: 33896ES

DRAWN	DIPL	CHECKED	DIPL
DATE	APR 2022	DATE	APR 2022
DESIGNED	DIPL	CHECKED	DIPL
DATE	APR 2022	DATE	APR 2022
DESIGN LEADER	DIPL	DESIGN DIRECTOR	DIPL
DATE	APR 2022	DATE	APR 2022



STANDARD DRAWINGS BUS SHELTERS & ASSOCIATED INFRASTRUCTURE				
SHELTER - TYPE 15A (REAR POSTS) TYPICAL PLAN, SECTION AND ELEVATION				
FILE No.	ASSET No.	SHEET No.	DRAWING No.	AMEND.
-	-	2 OF 3	CS3719	0
				SHEET SIZE A1