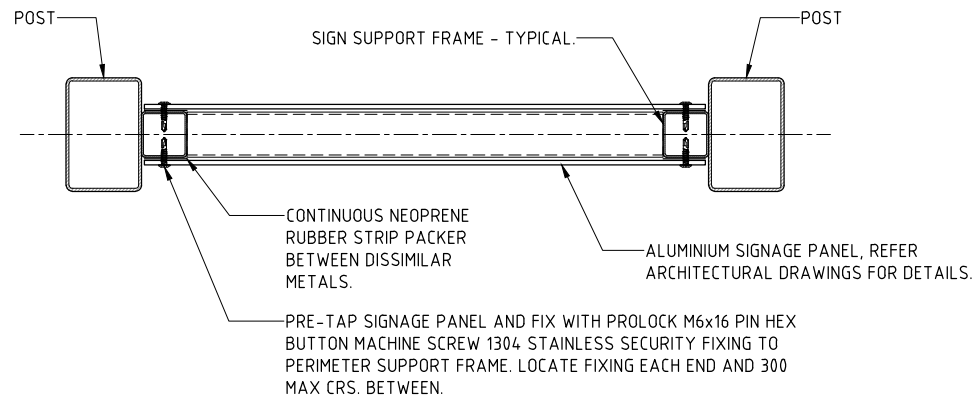


SIGNAGE FRAME

DETAIL **2**
SCALE B



SIGNAGE FRAME

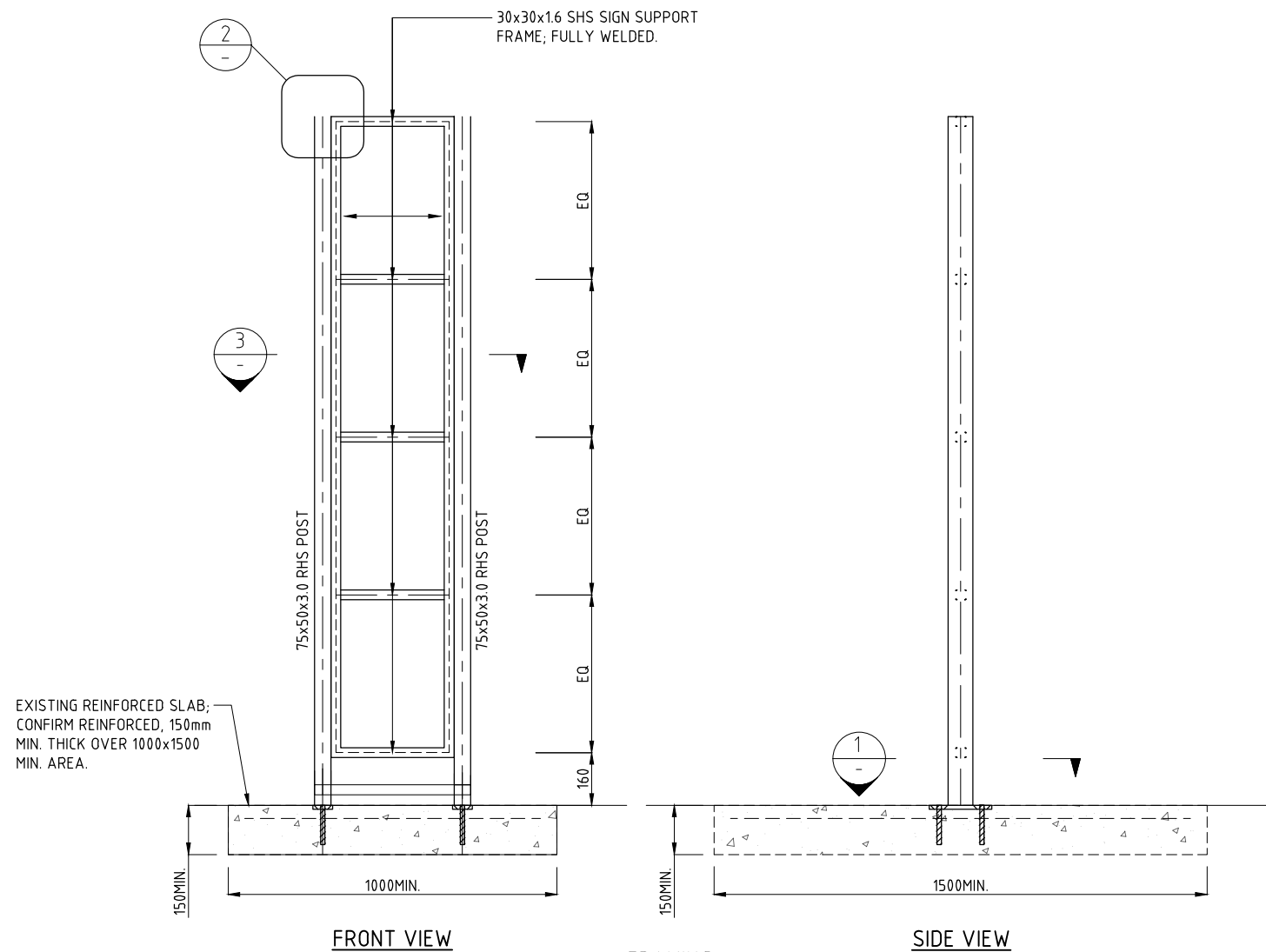
SECTION **3**
SCALE B

NOTES:

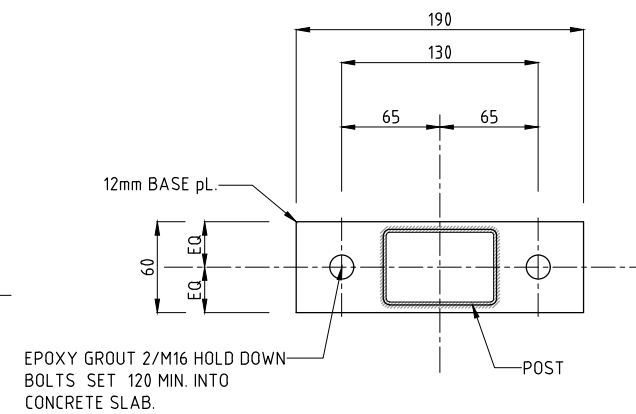
1. DO NOT SCALE DRAWINGS.
2. BUILDER SHALL BE RESPONSIBLE FOR THE STRUCTURE DURING ERECTION AND PROVE ADEQUATE PROPPING AND SUPPORTS.
3. PROVIDE SAFETY BARRIERS IN ACCORDANCE WITH NT WORK SAFE REQUIREMENTS PERIMETER OF WORK AREA.
4. DRAWINGS TO BE READ IN CONJUNCTION WITH ASSOCIATED ARCHITECTURAL DRAWINGS.
5. ALL HOLLOW SECTION MEMBERS TO BE GRADE 350 STEEL.
6. ALL STEEL FRAMING TO BE HOT-DIP GALVANISED FINISH.
7. ALL STEELWORK SHALL BE IN ACCORDANCE WITH CURRENT AS 4100 ALL WELDS TO BE 6mm "SP" CONTINUOUS FILLET WELD, U.N.O.
8. CHEMSET/S" DENOTES "RAMSET" GRADE 5.8 HOT DIPPED GALV. STUDS FIXED WITH "RAMSET CHEMSET REO 502"

CAUTION!

1. CONTRACTOR TO USE "DIAL BEFORE YOU DIG" PRIOR TO COMMENCEMENT OF ANY SITE WORKS.
2. CONTRACTOR TO ENSURE THAT NEW WORKS DO NOT DAMAGE ANY EXISTING SERVICES. CONTRACTOR TO LOCATE ALL EXISTING ABOVEGROUND AND UNDERGROUND SERVICES IN THE VICINITY OF THE SITE WORKS.
3. DUE CARE SHOULD BE MAINTAINED WHEN WORKING AND EXCAVATING IN ALL AREAS.
4. CONTRACTOR TO PROVIDE ALL SAFETY BARRIERS AND WARNING SIGNS DURING CONSTRUCTION.



FRAMING ELEVATIONS
SCALE A

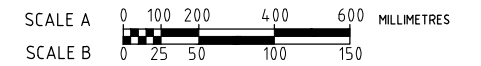


TYPICAL BASE FRAME

SECTION **1**
SCALE B

CONNECTION DETAIL:

1. NEATLY CUT EXISTING CONCRETE TO THE SIZE OF BASE PLATE.
2. EPOXY GROUT HOLD DOWN BOLTS 120mm INTO SLAB.
3. SITE PLUG WELD BASE PLATE TO HOLD DOWN BOLTS.
4. SHOP WELD COLUMN TO BASE PLATE.



DRAWING IS TYPICAL ONLY. OBTAIN ENGINEERING STRUCTURAL CERTIFICATE BEFORE CONSTRUCTION.

No.	DESCRIPTION	DATE	NAME	DEPT./COMPANY
0	RENUMBERED AND REISSUED WITH DDA COMPLIANCE	APR 2022	S.J.	EES/DIPL
AMENDMENTS				

WARNING
BEWARE OF UNDERGROUND SERVICES. THE LOCATION OF UNDERGROUND SERVICES ARE APPROXIMATE ONLY AND THEIR EXACT POSITION SHOULD BE PROVEN ON SITE. NO GUARANTEE IS GIVEN THAT ALL EXISTING SERVICES ARE SHOWN.

CONCURRED STRUCTURAL ONLY
NORTHERN TERRITORY GOVERNMENT
DEPARTMENT OF INFRASTRUCTURE, PLANNING & LOGISTICS
Level 4, Highway House, Palmerston Circuit, Palmerston
PO Box 61, Palmerston NT 0831
Signed: *Jorge Mu* 06/04/22
Registration No.: 33896ES

DRAWN	DIPL	CHECKED	DIPL
DATE	APR 2022	DATE	APR 2022
DESIGNED	DIPL	CHECKED	DIPL
DATE	APR 2022	DATE	APR 2022
DESIGN LEADER	DIPL	DESIGN DIRECTOR	DIPL
DATE	APR 2022	DATE	APR 2022



STANDARD DRAWINGS BUS SHELTERS & ASSOCIATED INFRASTRUCTURE				
TAXI - MINIBUS TOTEM - TYPE 1 FIXING TO EXISTING SLAB STRUCTURAL DETAILS				
FILE No.	ASSET No.	SHEET No.	DRAWING No.	AMEND.
-	-	4 OF 5	CS3730	0
				SHEET SIZE A1