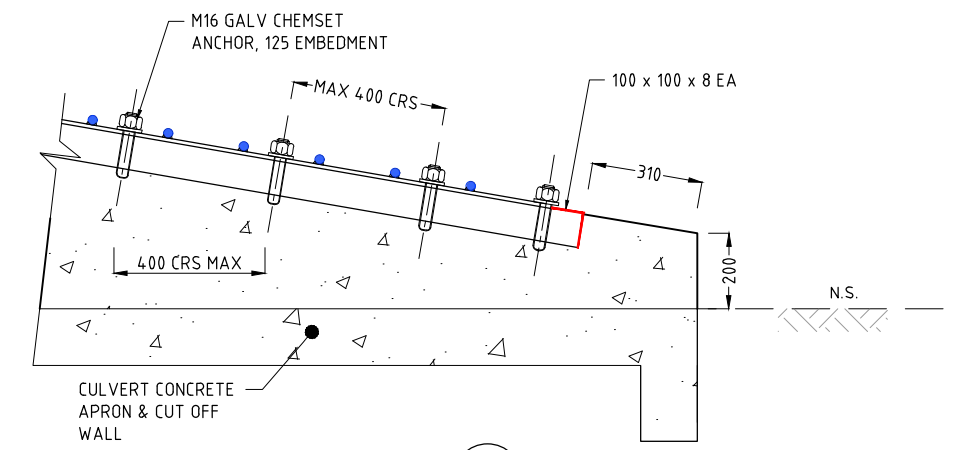
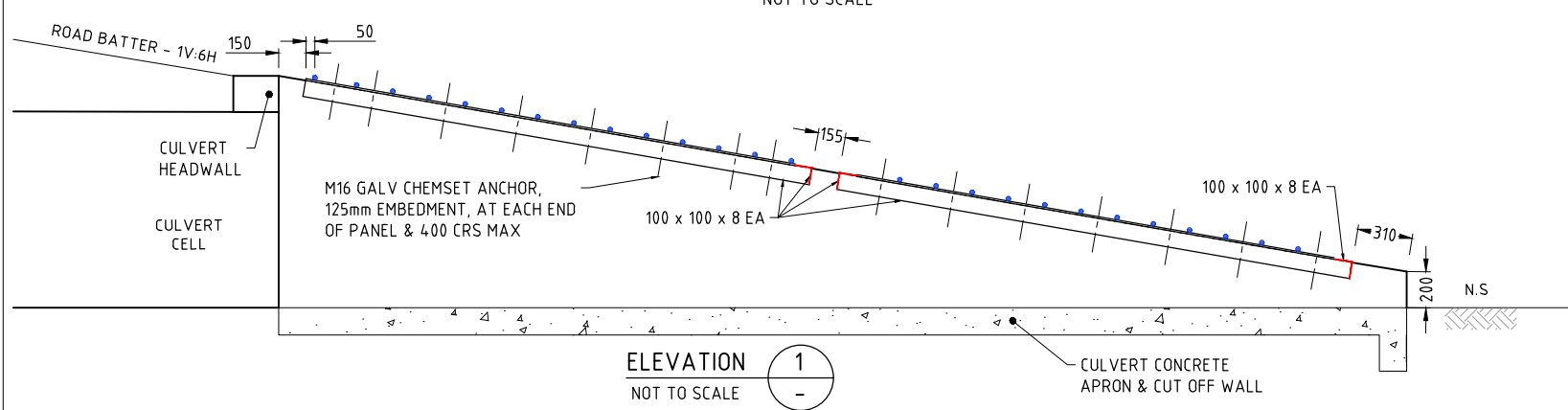


MOUNTABLE GRATE - LAYOUT PLAN
NOT TO SCALE

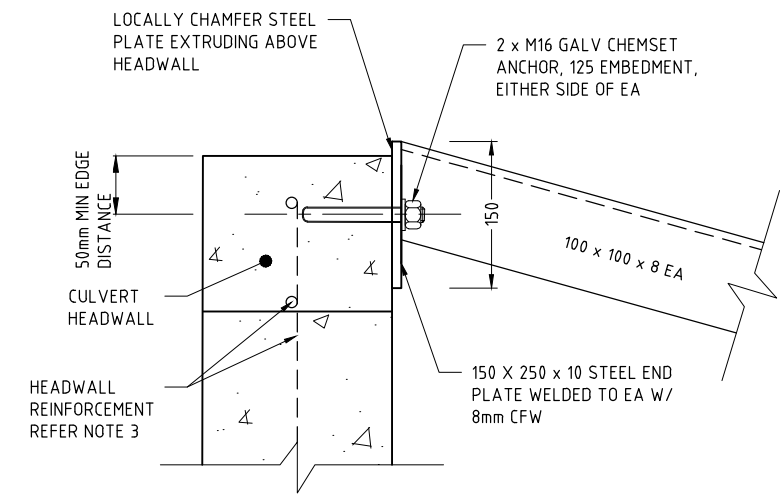
24φ ROD @ 200 CRS MAX
12φ ROD @ 200 CRS MAX REFER NOTE 3 & 4



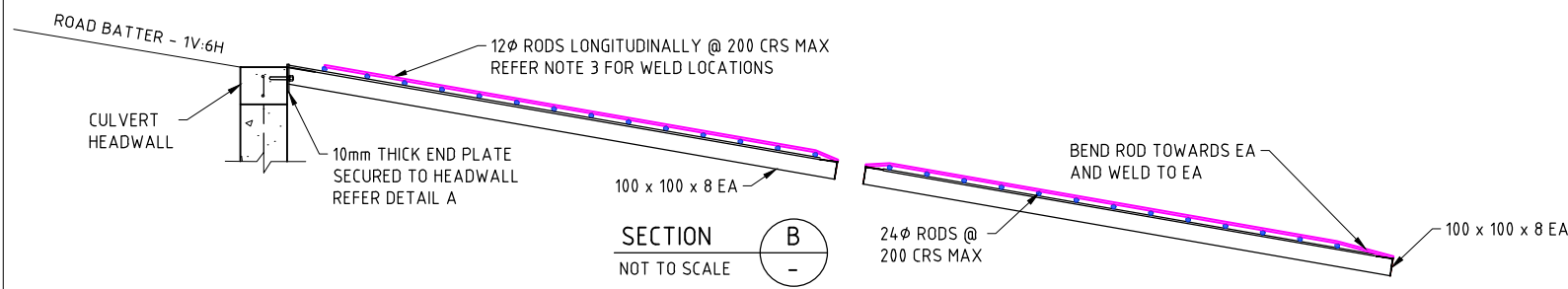
SECTION A
NOT TO SCALE



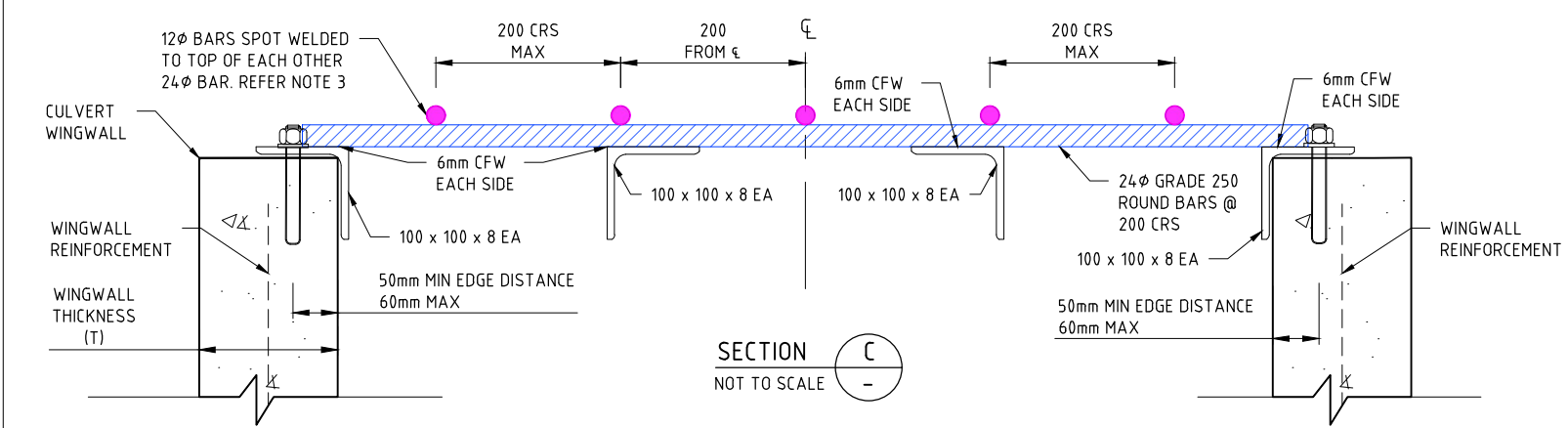
ELEVATION 1
NOT TO SCALE



DETAIL A - FIXED END PLATE
NOT TO SCALE



SECTION B
NOT TO SCALE



SECTION C
NOT TO SCALE



3D VISUALISATION - WINGWALL GRATE
NOT TO SCALE

- NOTES:**
- ALL DIMENSIONS ARE IN MILLIMETRES UNLESS NOTED OTHERWISE
 - STANDARD DRAWING REFERENCES
 - CS3133 - GENERAL NOTES, STEELWORK NOTES, SETOUT OF THE WINGWALLS & STANDARD DRAWING REFERENCES
 - CS3133 - NOTE 21 - STANDARD DRAWINGS FOR RCP & RCBC HEADWALL REINFORCEMENT
 - CS3138 - GRATE SETOUT REFERENCES
 - CS3139 - WINGWALL & GRATE SETOUT DIMENSIONS FOR MAX 2m SPAN
 - LONGITUDINAL RODS ARE TO BE INSTALLED AT 200 CENTRES, MEASURED FROM THE CENTERLINE OF THE CULVERT. THE BARS SHALL BE SPOT WELDED AT EACH BAR END, AND EVERY SECOND BAR IN-BETWEEN
 - ALTERNATIVELY, SL81 MESH MAY BE USED TO REPLACE THE LONGITUDINAL 12φ BARS, WITH WELDING TO BE AS PER NOTE 3.

0	ISSUED AS A STANDARD DRAWING	JUN 2023	J. COOK	TCS / DIPL
No.	AMENDMENT DESCRIPTION	DATE	INIT.	DEPT/COMPANY

Drawn	J. COOK	Checked	J. MU
Date:	MAY 2023	Date:	MAY 2023
Designed	J. COOK	Checked	J. MU
Date:	MAY 2023	Date:	MAY 2023
Design Project Leader	DIPL	NTG Project Manager	DIPL
Date:	MAY 2023	Date:	MAY 2023



STANDARD DRAWINGS			
DRAINAGE			
TRAVERSABLE CULVERT GRATE (MAX 2m SPAN)			
1V:6H BATTER - FRAME & CONNECTION DETAILS			
NTG Project No.	NTG Asset No.	Sheet Reference	NTG Drawing No.
-	-	03 OF 08	CS3135
			Amendment
			0 A1