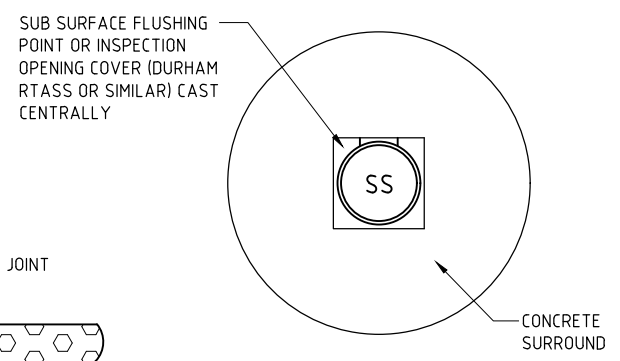
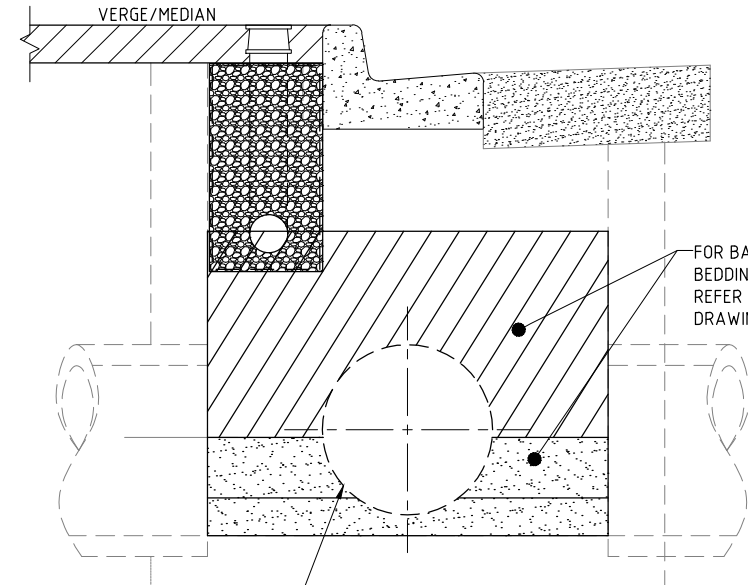


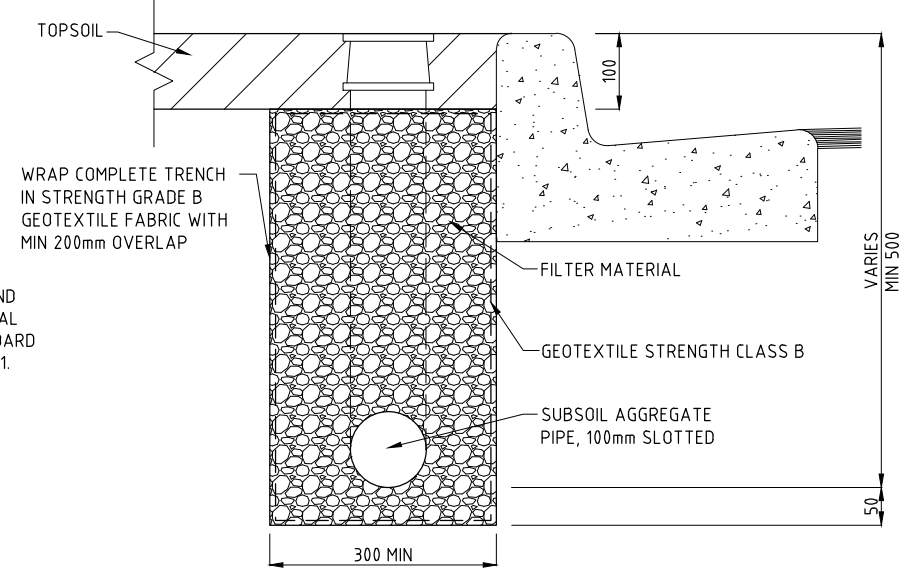
**INSPECTION OPENING (IO)**  
NOT TO SCALE



**SUBSOIL DRAIN COVER (SS)**  
NOT TO SCALE

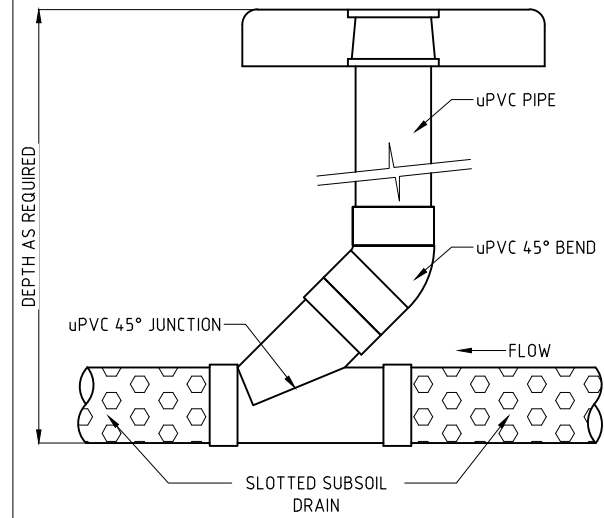


**ALTERNATIVE PIPE LAYOUT DETAIL**  
NOT TO SCALE

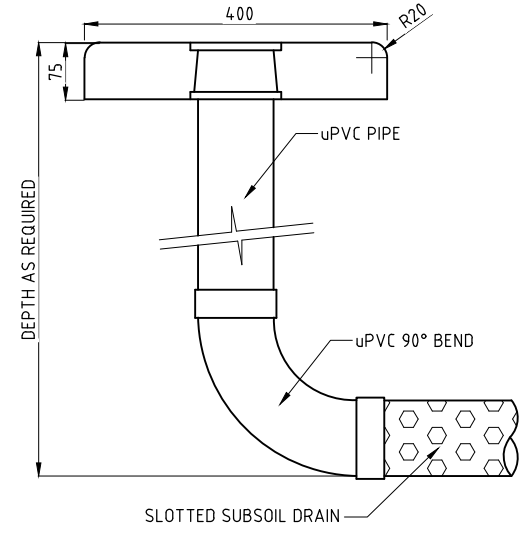


**TYPICAL SUBSOIL DRAIN**

**DETAIL 1**  
NOT TO SCALE

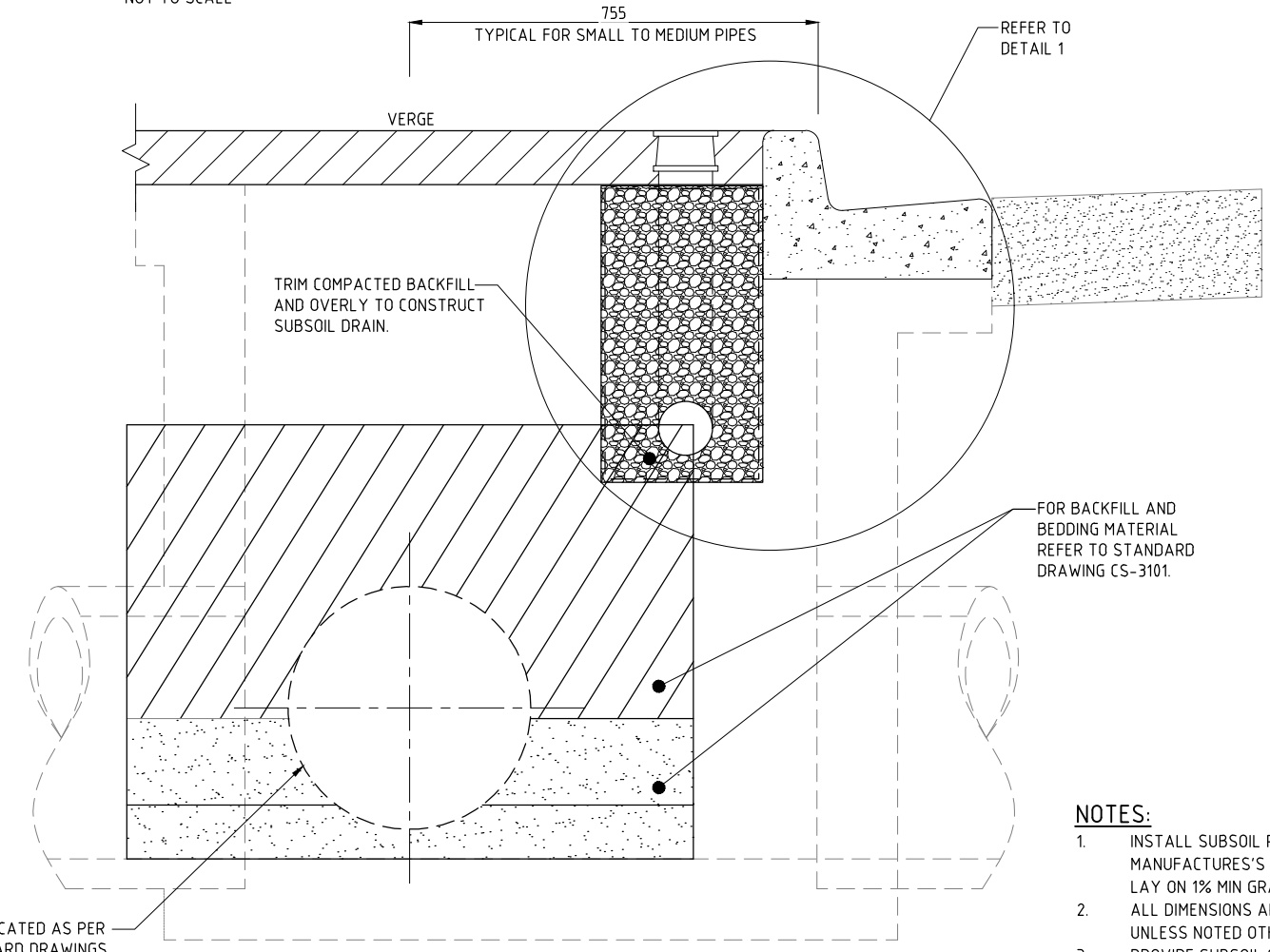


**IN LINE (FP)**  
NOT TO SCALE

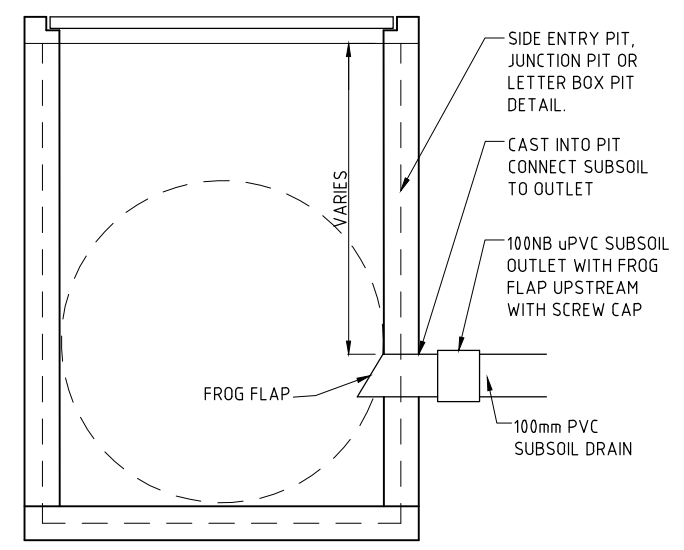


**END OF LINE (FP)**  
NOT TO SCALE

**TYPICAL SUBSOIL DRAIN FLUSHING POINTS (FP)**  
NOT TO SCALE



**PIPE LAYOUT DETAIL**  
NOT TO SCALE



**SUBSOIL DRAINAGE OUTLET DETAIL**  
NOT TO SCALE

- NOTES:**
1. INSTALL SUBSOIL PIPE TO MANUFACTURER'S RECOMMENDATIONS. LAY ON 1% MIN GRADE.
  2. ALL DIMENSIONS ARE IN MILLIMETRES UNLESS NOTED OTHERWISE.
  3. PROVIDE SUBSOIL SYSTEM BEHIND THE LOWER KERB SIDE IN MEDIANS.
  4. INSTALL SUBSOIL SYSTEMS BELOW SUBGRADE LAYER.

No.	DESCRIPTION	DATE	NAME	DEPT/COMPANY
2	MINOR CHANGES	JAN 2024	D.LLANO	DIPL
1	PIPE DETAILS ADDED	NOV 2017	J.LEESON	EES/DIPL
0	ISSUED AS A STANDARD DRAWING	SEPT 2017	J.LEESON	EES/DIPL
AMENDMENTS				

**WARNING**  
BEWARE OF UNDERGROUND SERVICES. THE LOCATIONS OF UNDERGROUND SERVICES ARE APPROXIMATE ONLY AND THEIR EXACT POSITION SHOULD BE PROVEN ON SITE. NO GUARANTEE IS GIVEN THAT ALL EXISTING SERVICES ARE SHOWN.

DRAWN <b>J.LEESON</b>	CHECKED <b>S.HATZI</b>
DATE AUG 2017	DATE AUG 2017
DESIGNED	CHECKED
DATE	DATE
DESIGN LEADER <b>S.HATZI</b>	DESIGN DIRECTOR <b>S.JACKSON</b>
DATE 1/09/2017	DATE 1/09/2017



STANDARD DRAWINGS DRAINAGE				
<b>TYPICAL SUBSOIL DRAINAGE DETAILS FOR URBAN AREAS</b>				
FILE No.	ASSET No.	SHEET No.	DRAWING No.	AMEND.
-	-	1 OF 1	CS-3121	2
				SHEET SIZE A1