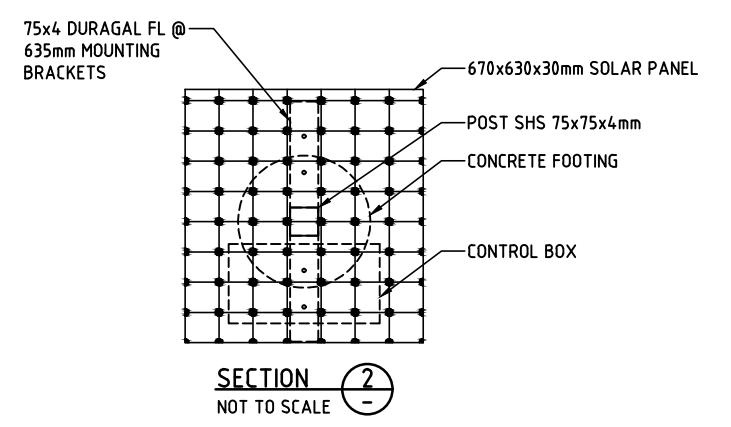


TELEMETRIC CONTROL STATION DETAILS
NOT TO SCALE

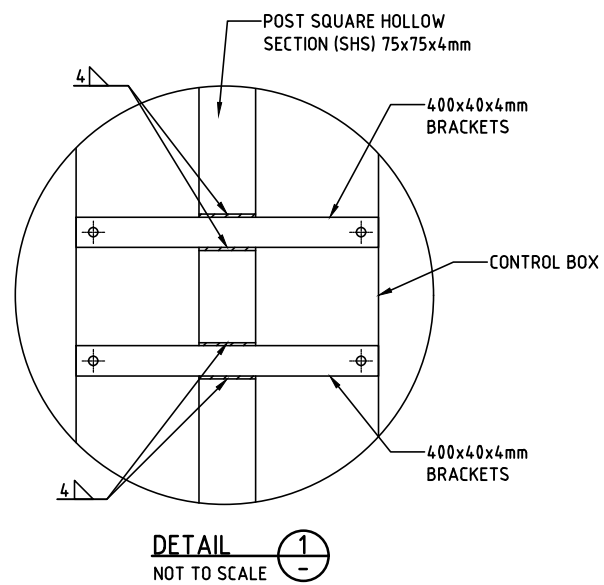
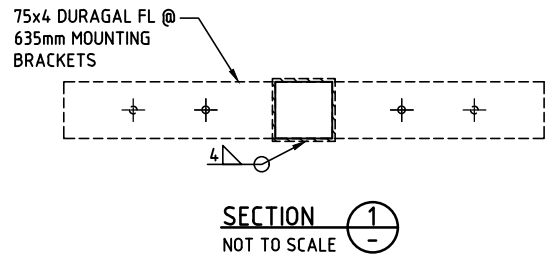


- POST:**
1. SEALED BOTH ENDS WITH WELDED METAL PLATE.
 2. BRACKETS WELDED TO POST.
 3. POWDER COAT HERITAGE GREEN.

- CONTROL BOX:**
1. SOLID CONSTRUCTION.
 2. STAINLESS STEEL.
 3. WATERPROOF.
 4. BUILT IN LOCK I.E. BUILT INTO CONTROL BOX
 5. 600 x 400 x 200mm

REFER TO SPECIFICATION FOR TELEMETRIC CONTROL STATION DETAILS

- NOTES:**
1. SOLAR HOLDING PLATE TO BE FULLY WELDED.
 2. 2x4mm FILLET WELDS AT 75mm LONG WELDED TO TOP AND BOTTOM SIDE OF EACH BRACKET.
 3. ALL DIMENSIONS ARE IN MILLIMETRES UNLESS NOTED OTHERWISE.



No.	DESCRIPTION	DATE	NAME	DEPT./COMPANY
0	ISSUED AS A STANDARD DRAWING	SEPT 2017	J.LEESON	EES/DIPL
AMENDMENTS				

WARNING
BEWARE OF UNDERGROUND SERVICES.
THE LOCATIONS OF UNDERGROUND SERVICES ARE APPROXIMATE ONLY AND THEIR EXACT POSITION SHOULD BE PROVEN ON SITE. NO GUARANTEE IS GIVEN THAT ALL EXISTING SERVICES ARE SHOWN.

DRAWN J.LEESON	CHECKED N.VAJRATHORN
DATE JULY 2016	DATE JULY 2016
DESIGNED	CHECKED J.ROBERTSON
DATE	DATE JULY 2016
DESIGN LEADER S.HATZI	DESIGN DIRECTOR S.JACKSON
DATE 1/09/2017	DATE 1/09/2017



STANDARD DRAWINGS KERBING, FENCING & LANDSCAPING					
IRRIGATION - TELEMETRY CONTROL STATION DETAIL					
FILE No.	ASSET No.	SHEET No.	DRAWING No.	AMEND.	SHEET SIZE
-	-	1 OF 1	CS3317	0	A1