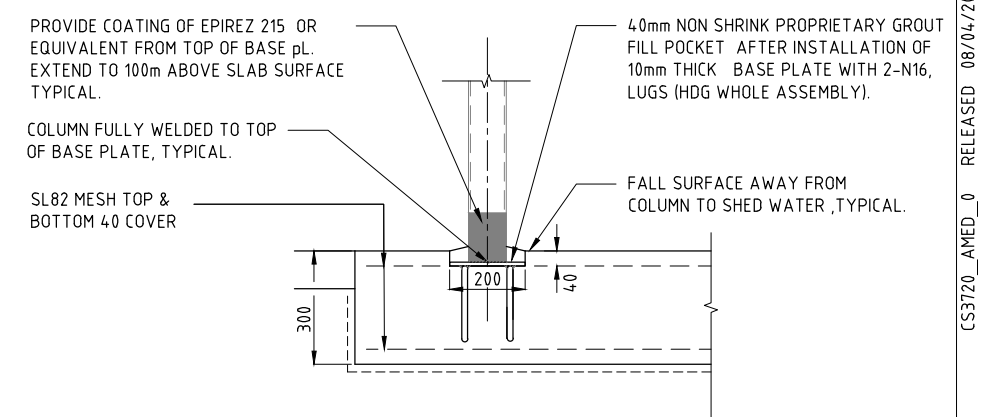


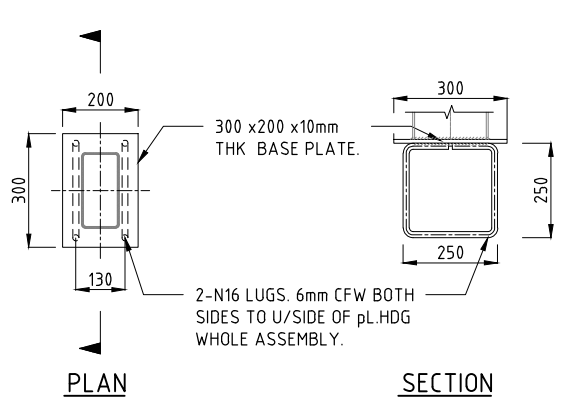
"EB1" DETAIL

"IB1" DETAIL

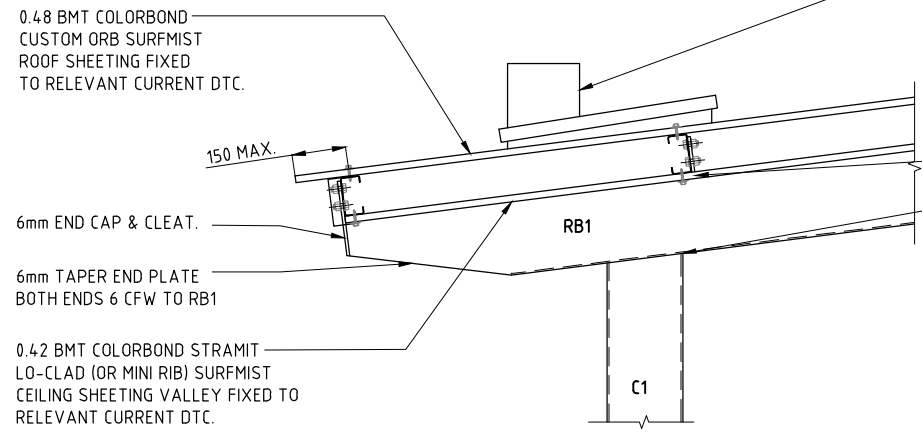
SECTION 1
SCALE B



SLAB DETAIL - ALTERNATIVE
SCALE B

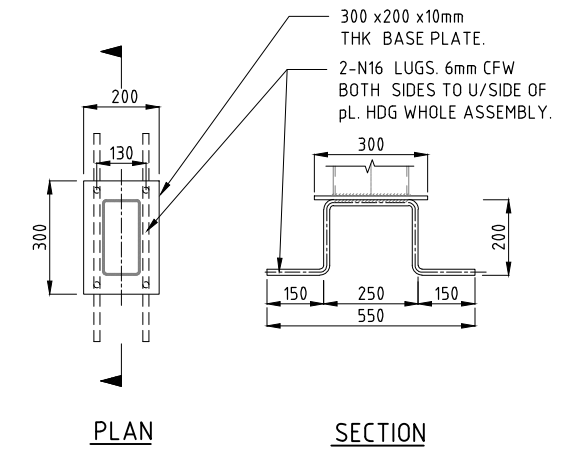


TYPICAL BASE PLATE DETAILS
SCALE B

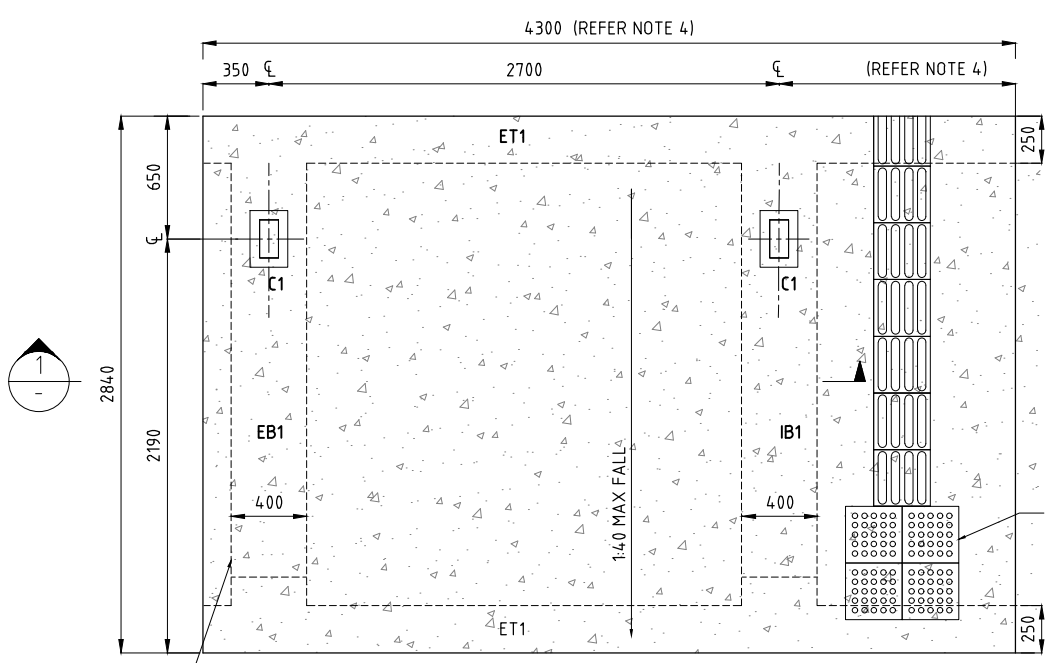


SECTION 2
SCALE B

- NOTES:**
1. FIX SOLAR PANEL ON ANGLE MOUNTS
 2. CONNECT WIRING WITH WELDED ALUMINIUM - HOLLOW SECTION CONDUIT.
 3. PROVIDE CELLITE CE118 - VANDAL PROOF LIGHT FITTING WITH INVERTER TO UNDERSIDE OF ROOF.
 4. SLAB WIDTH VARIES, REFER TABLE 1 ON CS3719.



ALTERNATE BASE PLATE DETAILS
SCALE B



TYPICAL SLAB PLAN

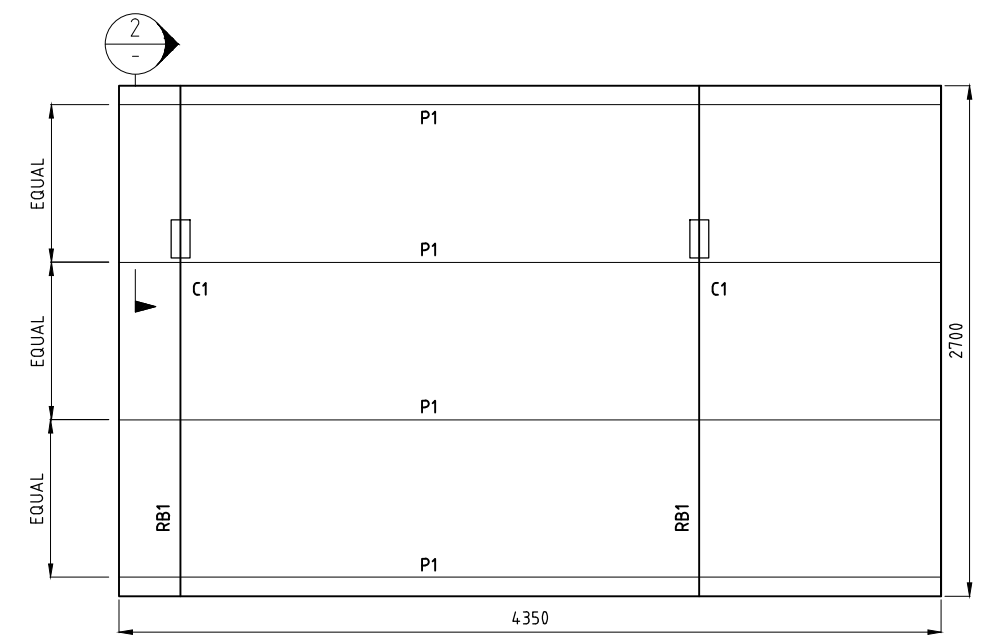
ALTERNATIVE - 300mm THICK CONCRETE SLAB, SL82 MESH TOP & BOTTOM 40 COVER
SCALE A

MEMBER SCHEDULE	
ET1	250x250 DEEP EDGE THICKENING
IB1	400x400 INTERNAL SLAB BEAM, 4 L11TM WITH R10 LIGS AT NOM 450 CRS 50mm MIN COVER
EB1	400x400 INTERNAL SLAB BEAM, 4 L11TM WITH R10 LIGS AT NOM 450 CRS 50mm MIN COVER
C1	200x100x4 RHS COLUMN
RB1	200x100x4 RHS ROOF BEAM. 6PL END PLATE BOTH ENDS
P1	C10015 PURLIN (G450, Z450)

REFER TACTILE NOTES ON CS 3718 AND CS3719 FOR SETOUT DETAILS.

SCALE A 0 250 500 1000 1500 MILLIMETRES

SCALE B 0 100 200 400 600 MILLIMETRES



ROOF PLAN

SCALE A

DRAWING IS TYPICAL ONLY. OBTAIN BUILDING PERMIT BEFORE CONSTRUCTION.

No.	DESCRIPTION	DATE	NAME	DEPT./COMPANY
0	RENUMBERED AND REISSUED WITH DDA COMPLIANCE	APR 2022	S.J.	EES/DIPL
AMENDMENTS				

WARNING
BEWARE OF UNDERGROUND SERVICES. THE LOCATION OF UNDERGROUND SERVICES ARE APPROXIMATE ONLY AND THEIR EXACT POSITION SHOULD BE PROVEN ON SITE. NO GUARANTEE IS GIVEN THAT ALL EXISTING SERVICES ARE SHOWN.

CONCURRED STRUCTURAL ONLY
NORTHERN TERRITORY GOVERNMENT
DEPARTMENT OF INFRASTRUCTURE, PLANNING & LOGISTICS
Level 4, Highway House, Palmerston Circuit, Palmerston
PO Box 61, Palmerston NT 0831

Signed: *Jorge Mu* 06/04/22
Registration No.: 33896ES

DRAWN	DIPL	CHECKED	DIPL
DATE	APR 2022	DATE	APR 2022
DESIGNED	DIPL	CHECKED	DIPL
DATE	APR 2022	DATE	APR 2022
DESIGN LEADER	DIPL	DESIGN DIRECTOR	DIPL
DATE	APR 2022	DATE	APR 2022



STANDARD DRAWINGS
BUS SHELTERS & ASSOCIATED INFRASTRUCTURE

SHELTER - TYPE 15A (REAR POSTS)
TYPICAL SLAB & CEILING PLAN

FILE No.	ASSET No.	SHEET No.	DRAWING No.	AMEND.	SHEET SIZE
-	-	3 OF 3	CS3720	0	A1