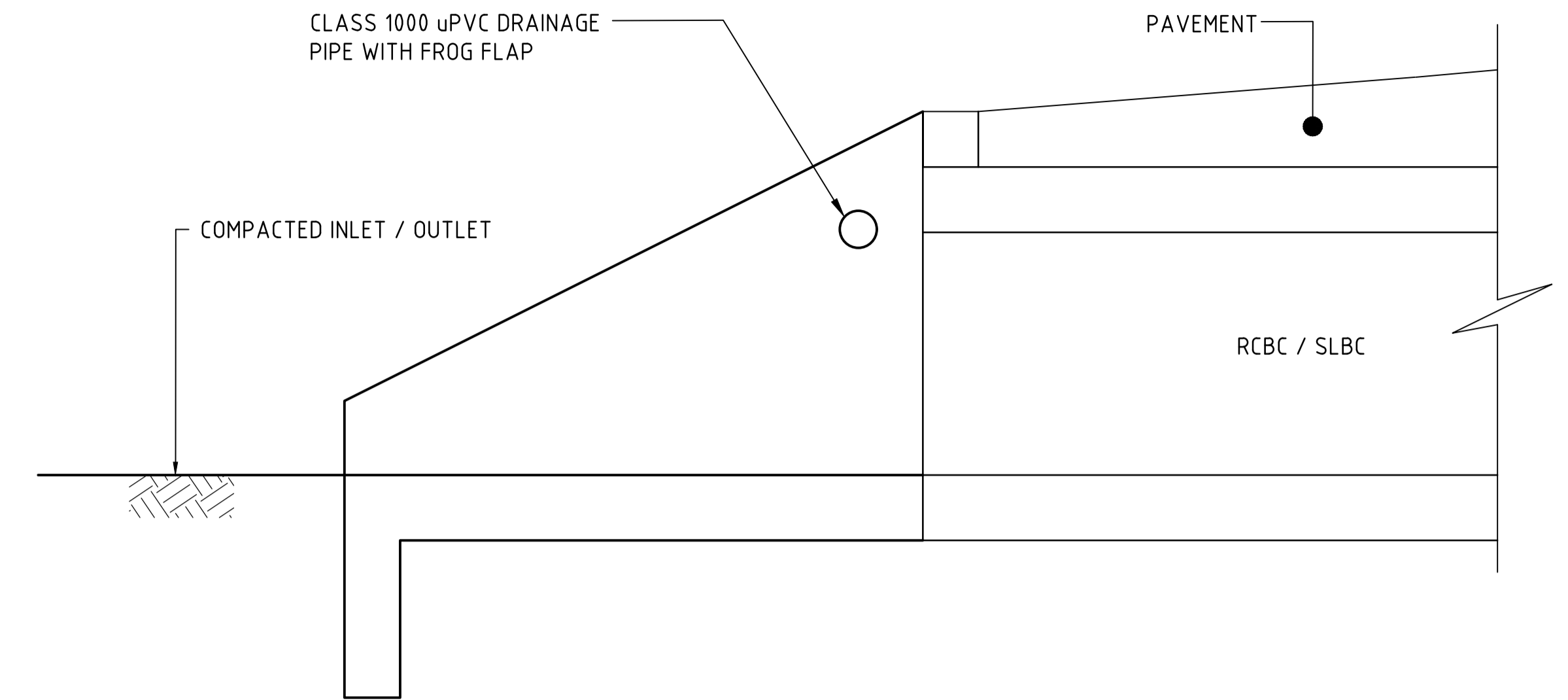
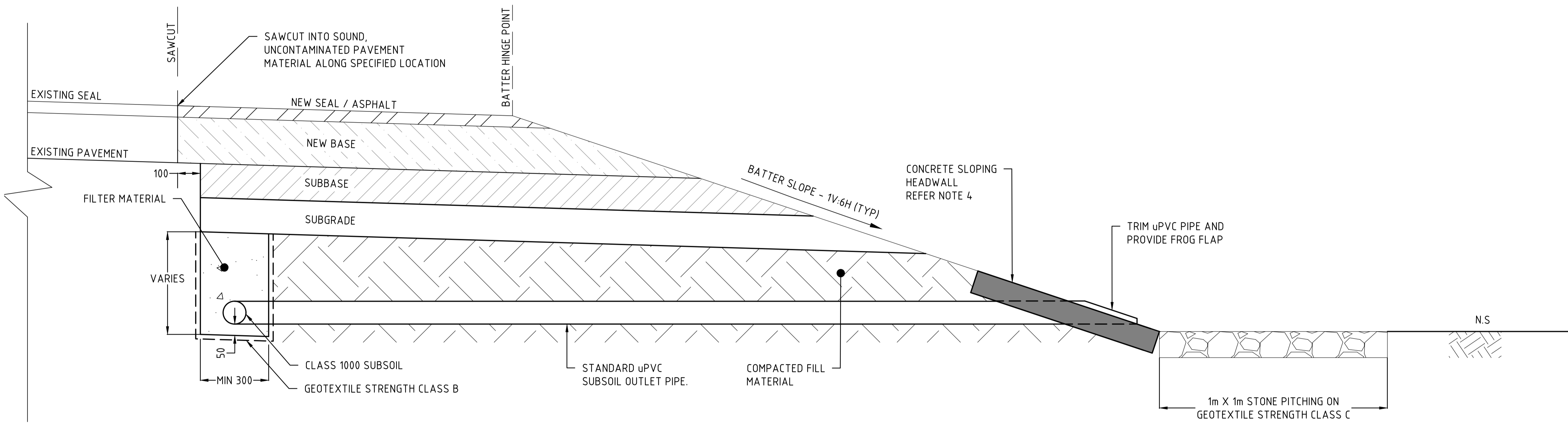


**DRAINAGE BLANKET & SUBSOIL DRAIN - NEW ROADS**  
NOT TO SCALE



**ALTERNATIVE SUBSOIL OUTLET DETAIL - CULVERT**  
NOT TO SCALE



**SUBSOIL DRAIN - PAVEMENT WIDENING (MULTIPLE LAYERS) & OUTLET DETAIL**  
NOT TO SCALE

**NOTES:**

1. ALL DIMENSIONS ARE IN MILLIMETRES UNLESS NOTED OTHERWISE.
2. WHERE NEW SEAL / ASPHALT IS TO BE PLACED, IT SHALL EXTEND A MINIMUM OF 100mm OVER THE SAWCUT LINE.
3. SUBSOIL DRAINS ARE NOT REQUIRED FOR PAVEMENT WIDENING WITH A SINGLE PAVEMENT LAYER.
4. AT SUBSOIL DISCHARGE LOCATIONS, PROVIDE A 100mm THICK CONCRETE SLOPING HEADWALL PLACED FLUSH WITH THE ROAD BATTER. THE HEADWALL SHALL EXTEND AT LEAST 100mm EITHER SIDE OF THE OUTLET.
5. ENSURE OUTLET IS ABOVE TABLE DRAIN INVERT.

**WARNING**

BEWARE OF UNDERGROUND SERVICES. THE LOCATIONS OF UNDERGROUND SERVICES ARE APPROXIMATE ONLY AND THEIR EXACT POSITION SHOULD BE PROVEN ON SITE. NO GUARANTEE IS GIVEN THAT ALL EXISTING SERVICES ARE SHOWN.

No.	DESCRIPTION	DATE	NAME	DEPT./COMPANY
2	MINOR CHANGES	FEB 2024	D.LLANO	DIPL
1	SUBSOIL DRAIN UPDATES	MAR 2023	J. COOK	DIPL
0	ISSUED AS A STANDARD DRAWING	SEPT 2017	J.LEESON	EES/DIPL
AMENDMENTS				

DRAWN J.LEESON	CHECKED S.HATZI
DATE AUG 2017	DATE AUG 2017
DESIGNED	CHECKED
DATE	DATE
DESIGN LEADER S.HATZI	DESIGN DIRECTOR S.JACKSON
DATE 1/09/2017	DATE 1/09/2017



STANDARD DRAWINGS DRAINAGE				
TYPICAL SUBSOIL AND DRAINAGE BLANKET DETAILS FOR RURAL AREAS				
FILE No.	ASSET No.	SHEET No.	DRAWING No.	AMEND.
-	-	1 OF 1	CS-3122	2
				SHEET SIZE A1