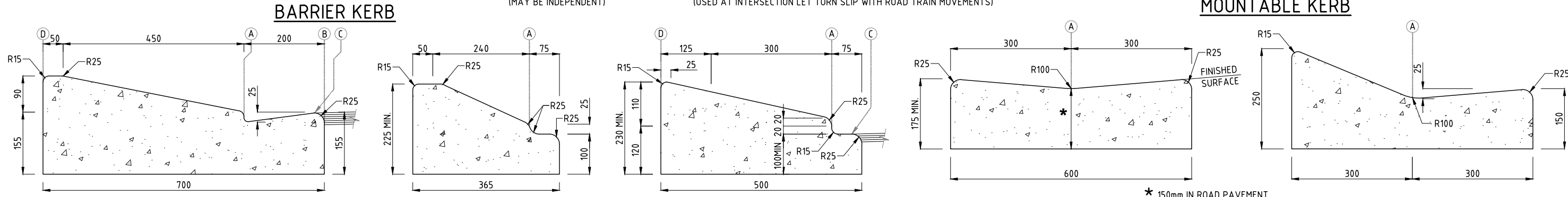
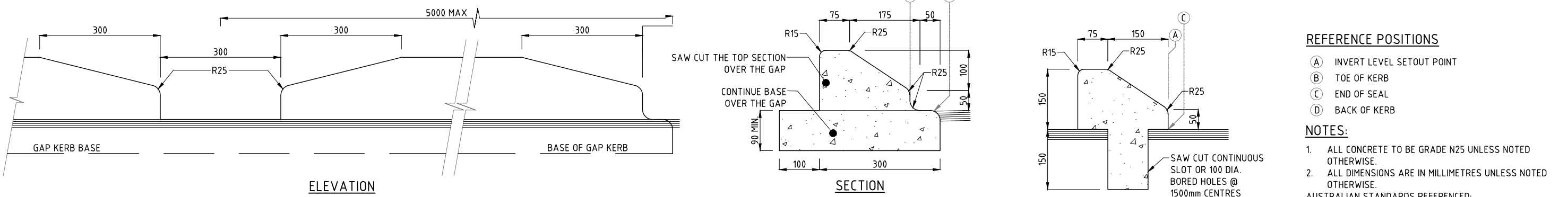
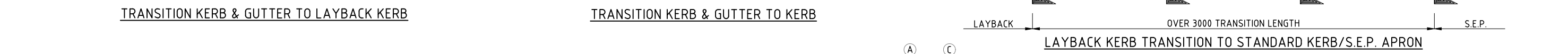
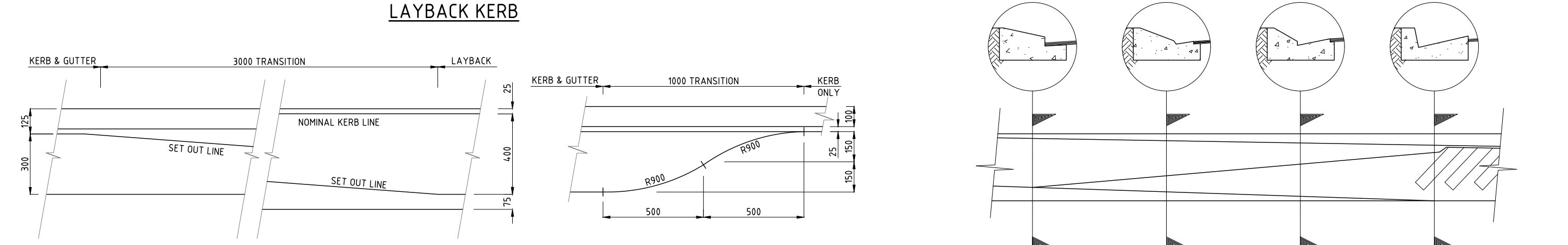


KERB & GUTTER (K&G) **KERB ONLY (K)** **FLUSH KERB (FK)**
 (MAY BE INDEPENDENT) **MOUNTABLE SPECIAL KERB (MSK)**
 (USED AT INTERSECTION LET TURN SLIP WITH ROAD TRAIN MOVEMENTS) **MOUNTABLE KERB (MK)** **MOUNTABLE KERB & GUTTER (MK&G)**



BARRIER KERB **LAYBACK KERB TYPE 1 (LBK1)** **LAYBACK KERB TYPE 2 (LBK2)** **LAYBACK KERB TYPE 3 (LBK3)** **CONCRETE INVERT (CI)** **LOW PROFILE KERB (LPK)**



NOTE:
 1. BASE OF KERB TO BE CONTINUOUS ACROSS GAP
 2. FOR GAP DETAILS REFER TO MOUNTABLE KERB ABOVE

REFERENCE POSITIONS
 (A) INVERT LEVEL SETOUT POINT
 (B) TOE OF KERB
 (C) END OF SEAL
 (D) BACK OF KERB

NOTES:
 1. ALL CONCRETE TO BE GRADE N25 UNLESS NOTED OTHERWISE.
 2. ALL DIMENSIONS ARE IN MILLIMETRES UNLESS NOTED OTHERWISE.
 AUSTRALIAN STANDARDS REFERENCED:
 AS 2876-2000 CONCRETE KERBS AND CHANNELS (GUTTERS) - MANUALLY OR MACHINE PLACED

No.	DESCRIPTION	DATE	NAME	DEPT./COMPANY
4	CONCRETE GRADE AMENDED	NOV 2020	N.K	EES/DIPL
3	GAP KERB BASE DETAIL AMENDED	DEC 2019	S.SHI	EES/DIPL
2	ADDITION OF DEPTH DETAIL FOR GAP KERB	MAY 2019	S.SHI	EES/DIPL
1	ADDITION OF ABBREVIATIONS	DEC 2018	H. ZHU	EES/DIPL
0	ISSUED AS A STANDARD DRAWING	SEPT 2017	J.LEESON	EES/DIPL
AMENDMENTS				

WARNING

BEWARE OF UNDERGROUND SERVICES.
THE LOCATIONS OF UNDERGROUND SERVICES ARE APPROXIMATE ONLY AND THEIR EXACT POSITION SHOULD BE PROVEN ON SITE. NO GUARANTEE IS GIVEN THAT ALL EXISTING SERVICES ARE SHOWN.

DRAWN A.R	CHECKED L.Mc
DATE DEC 2012	DATE DEC 2012
DESIGNED	CHECKED
DATE	DATE
DESIGN LEADER S.HATZI	DESIGN DIRECTOR S.JACKSON
DATE 1/09/2017	DATE 1/09/2017

Northern Territory Government

STANDARD DRAWINGS
KERBING, FENCING & LANDSCAPING

STANDARD KERB PROFILES

FILE No.	ASSET No.	SHEET No.	DRAWING No.	AMEND.	SHEET SIZE
-	-	1 OF 1	CS3300	4	A1