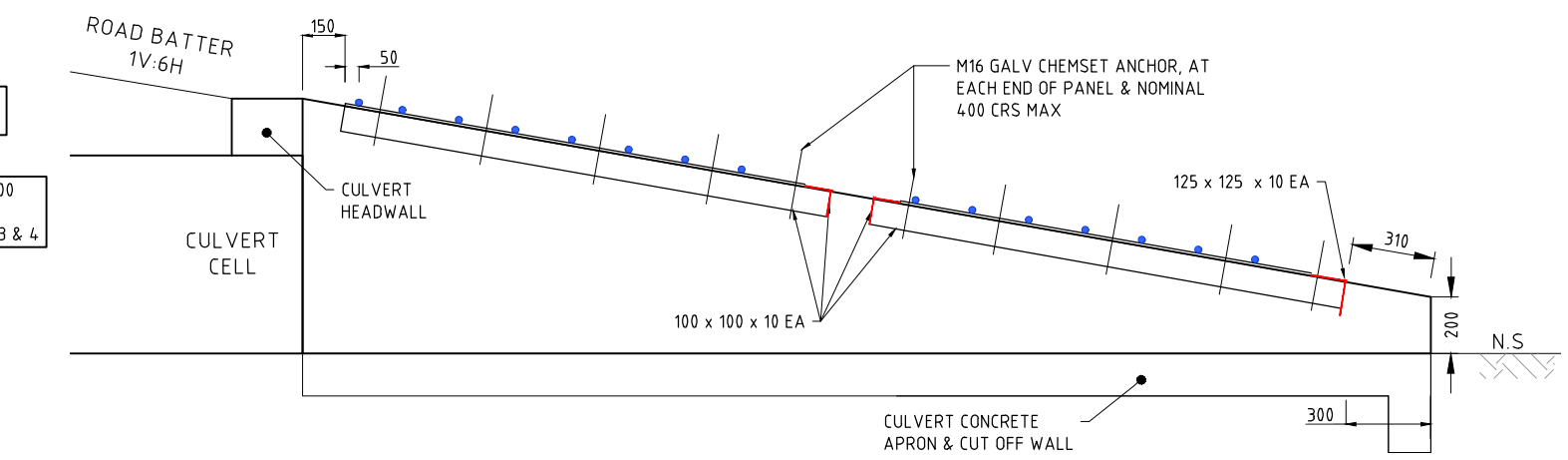
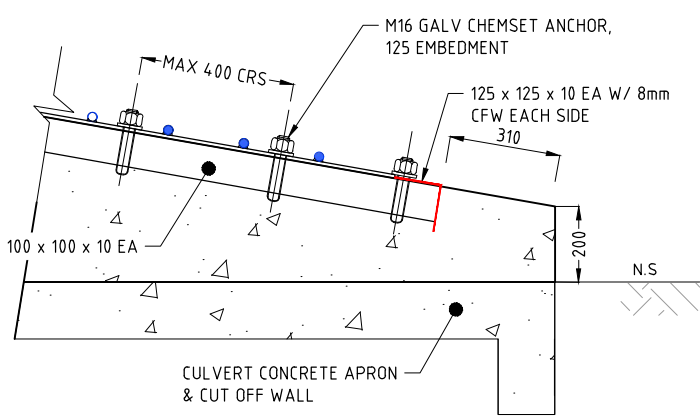


TRAVERSABLE GRATE - LAYOUT PLAN
NOT TO SCALE

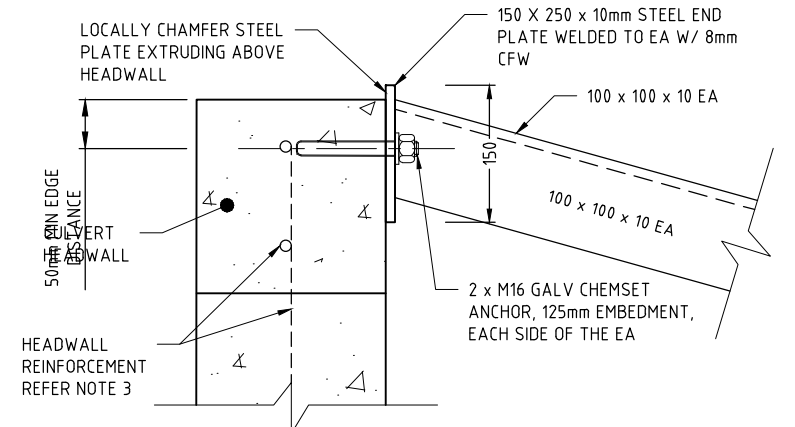
24 ϕ ROD @ 200 CRS MAX
12 ϕ ROD @ 200 CRS MAX REFER NOTE 3 & 4



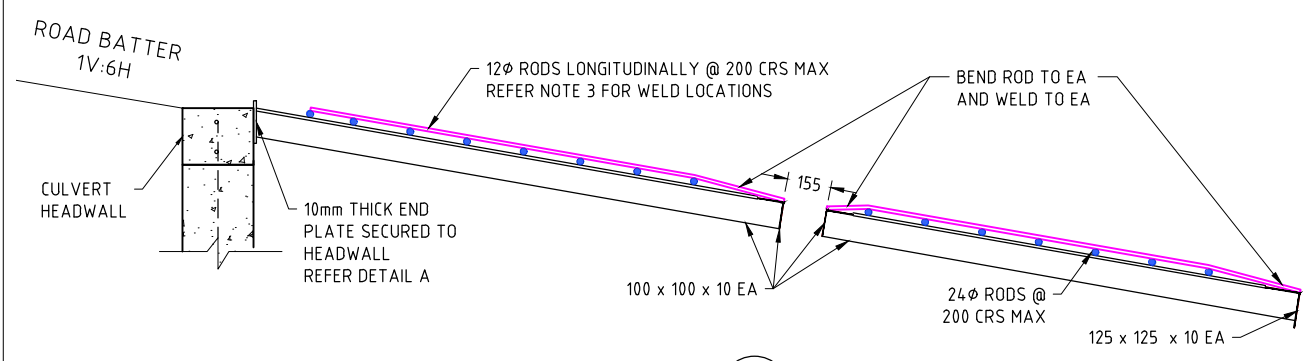
ELEVATION 1
NOT TO SCALE



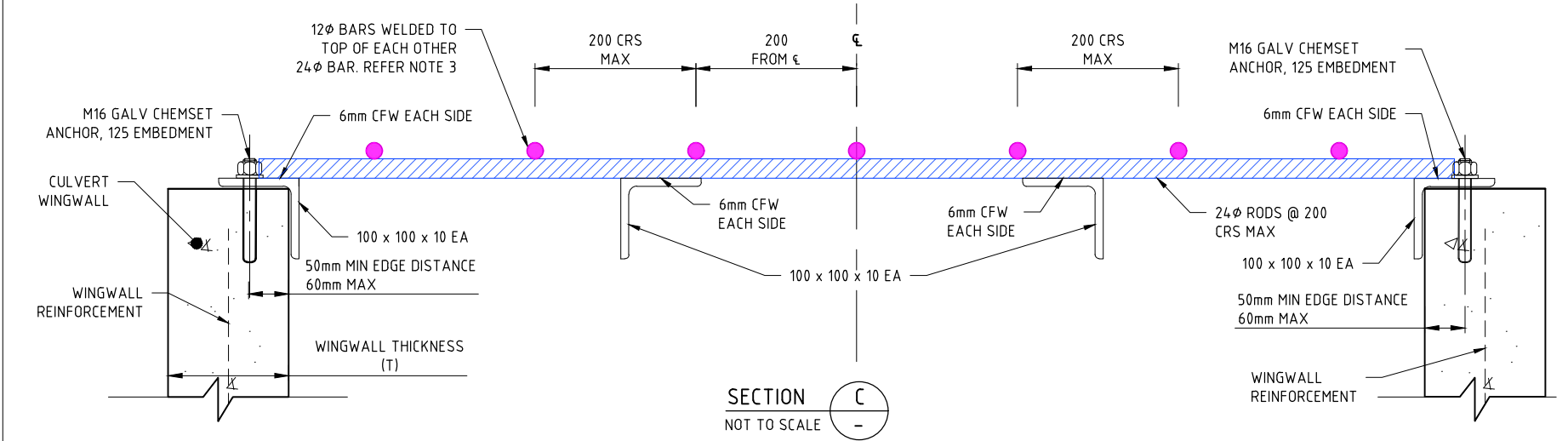
SECTION A
NOT TO SCALE



DETAIL A - FIXED END PLATE
NOT TO SCALE



SECTION B
NOT TO SCALE



SECTION C
NOT TO SCALE



3D VISUALISATION - WINGWALL GRATE
NOT TO SCALE

- NOTES:**
- ALL DIMENSIONS ARE IN MILLIMETRES UNLESS NOTED OTHERWISE
 - STANDARD DRAWING REFERENCES
 - CS3133 - GENERAL NOTES, STEELWORK NOTES, SETOUT OF THE WINGWALLS & STANDARD DRAWING REFERENCES
 - CS3133 - NOTE 21 - STANDARD DRAWINGS FOR RCP & RCBC HEADWALL REINFORCEMENT
 - CS3138 - GRATE SETOUT REFERENCES
 - CS3140 - WINGWALL & GRATE SETOUT DIMENSIONS FOR MAX 4m SPAN
 - THE LONGITUDINAL RODS ARE TO BE INSTALLED AT 200 CENTRES, MEASURED FROM THE CENTRELINE OF THE CULVERT AND INCLUDE A ROD AT THE CULVERT CENTRELINE. RODS SHALL BE SPOT WELDED AT EACH ROD END, AND EVERY SECOND BAR IN-BETWEEN. ALTERNATIVELY, SL81 MESH MAY BE USED TO REPLACE THE LONGITUDINAL 12 ϕ BARS, WITH WELDING TO BE AS PER NOTE 3.

0	ISSUED AS A STANDARD DRAWING	JUN 2023	J. COOK	TCS / DIPL
No.	AMENDMENT DESCRIPTION	DATE	INIT.	DEPT./COMPANY

Drawn	J. COOK	Checked	J. MU
Date:	MAY 2023	Date:	MAY 2023
Designed	J. COOK	Checked	J. MU
Date:	MAY 2023	Date:	MAY 2023
Design Project Leader	DIPL	NTG Project Manager	DIPL
Date:	MAY 2023	Date:	MAY 2023



STANDARD DRAWINGS			
DRAINAGE			
TRAVERSABLE CULVERT GRATE (MAX 4m SPAN)			
1V:6H BATTER - FRAME & CONNECTION DETAILS			
NTG Project No.	NTG Asset No.	Sheet Reference	NTG Drawing No.
-	-	05 OF 08	CS3137
			Amendment
			0 A1