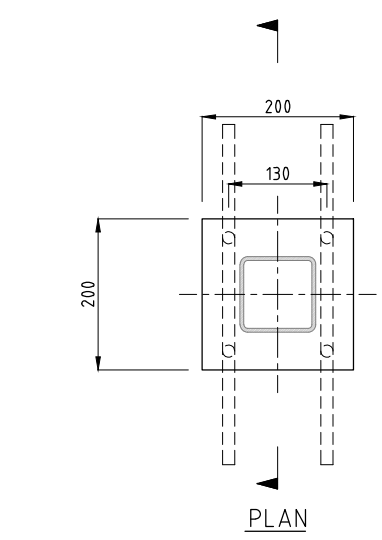


REFER TACTILE NOTES ON CS3700 AND CS3701 FOR SETOUT DETAILS.

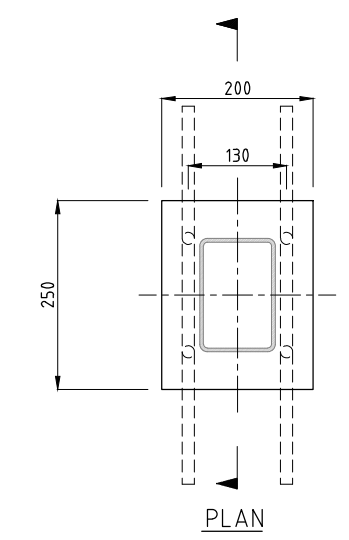
SLAB LAYOUT PLAN (OPTION 2)  
SCALE B

NOTES:

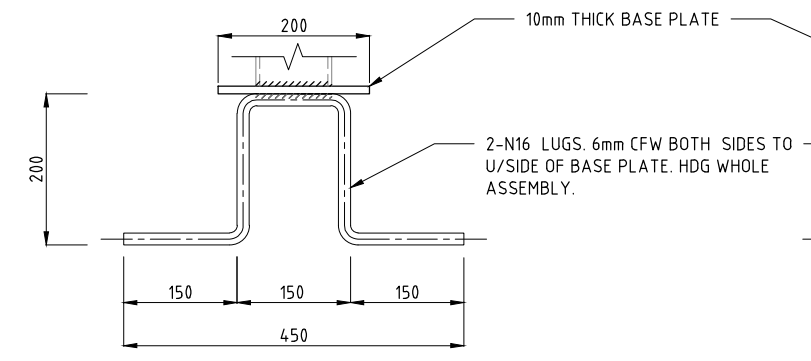
- 280THICK N32 (32MPa) CONCRETE WITH SL82 MESH TOP & BOTTOM. 40 COVER, 1 LAYER 0.2mm THICK DPC UNDERLAY AND 50mm SAND BED ON CONSOLIDATED COMPACTED FILL.
- 1-N16 PERIMETER BAR TIED TO U/SIDE OF TOP FABRIC 30mm EDGE COVER, PROVIDE 800x800xN16 CORNER LAP BAR.



PLAN

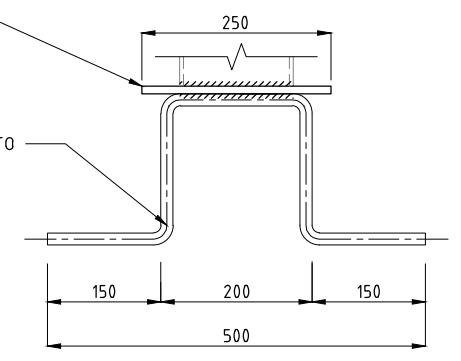


PLAN



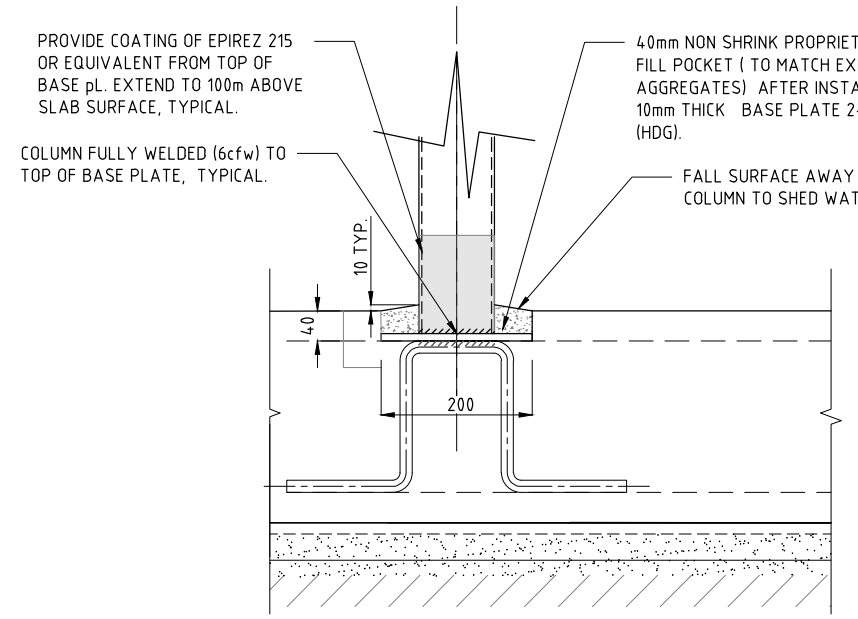
SECTION

BASE PLATE DETAILS FOR 100x100 SHS  
SCALE A

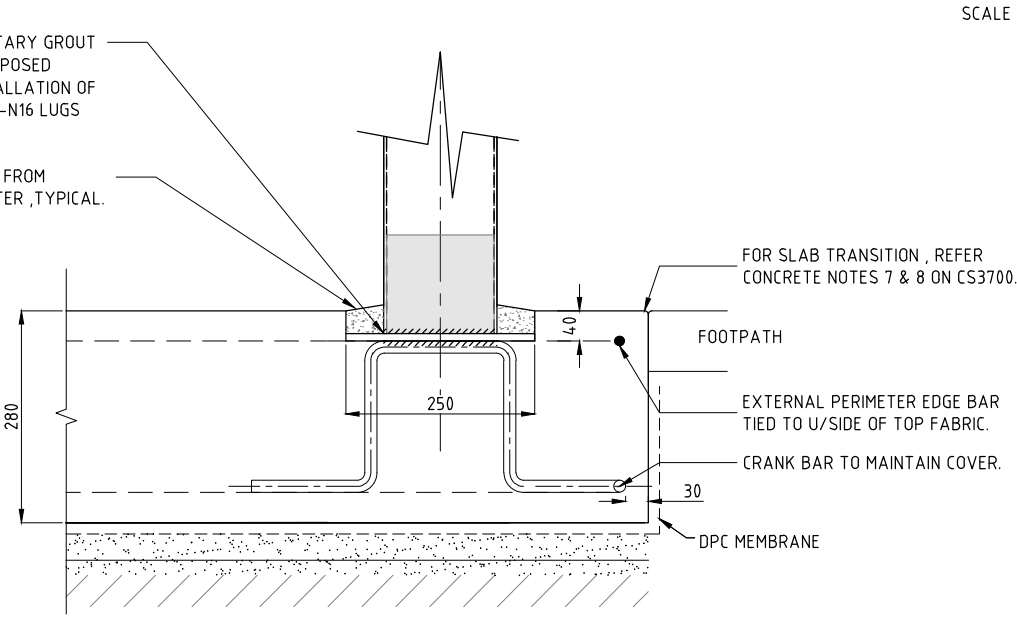


SECTION

BASE PLATE DETAILS FOR 150x100 RHS  
SCALE A

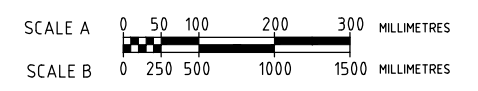


TYPICAL 100x 100 SHS COLUMN FIXING TO SLAB



TYPICAL COLUMN 150x100 RHS FIXING TO SLAB

1 SECTION  
SCALE A



DRAWING IS TYPICAL ONLY. OBTAIN BUILDING PERMIT BEFORE CONSTRUCTION.

No.	DESCRIPTION	DATE	NAME	DEPT./COMPANY
0	REISSUED WITH DDA COMPLIANCE	APR 2022	S.J	EES/DIPL
AMENDMENTS				

**WARNING**  
BEWARE OF UNDERGROUND SERVICES. THE LOCATION OF UNDERGROUND SERVICES ARE APPROXIMATE ONLY AND THEIR EXACT POSITION SHOULD BE PROVEN ON SITE. NO GUARANTEE IS GIVEN THAT ALL EXISTING SERVICES ARE SHOWN.

**CONCURRED STRUCTURAL ONLY**  
NORTHERN TERRITORY GOVERNMENT  
DEPARTMENT OF INFRASTRUCTURE, PLANNING & LOGISTICS  
Level 4, Highway House, Palmerston Circuit, Palmerston  
PO Box 61, Palmerston NT 0831  
Signed: *Jorge Mu* 06/04/22  
Registration No.: 33896ES

DRAWN	DIPL	CHECKED	DIPL
DATE	APR 2022	DATE	APR 2022
DESIGNED	DIPL	CHECKED	DIPL
DATE	APR 2022	DATE	APR 2022
DESIGN LEADER	DIPL	DESIGN DIRECTOR	DIPL
DATE	APR 2022	DATE	APR 2022



STANDARD DRAWINGS BUS SHELTERS & ASSOCIATED INFRASTRUCTURE				
SHELTER - TYPE 14A - 3 BAY SLAB LAYOUT PLAN AND DETAIL (OPTION 2)				
FILE No.	ASSET No.	SHEET No.	DRAWING No.	AMEND.
-	-	5 OF 6	CS3704	0
				SHEET SIZE A1