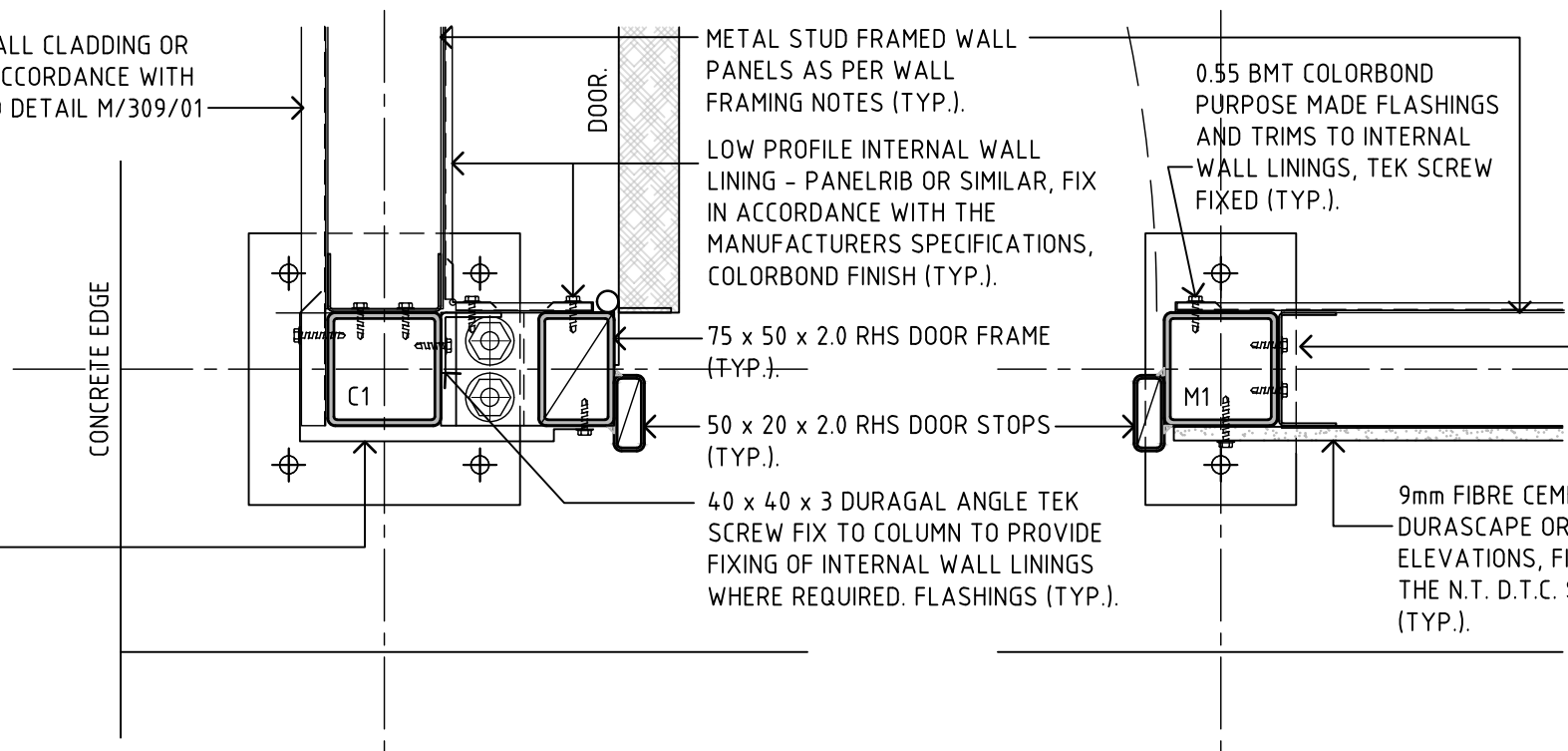


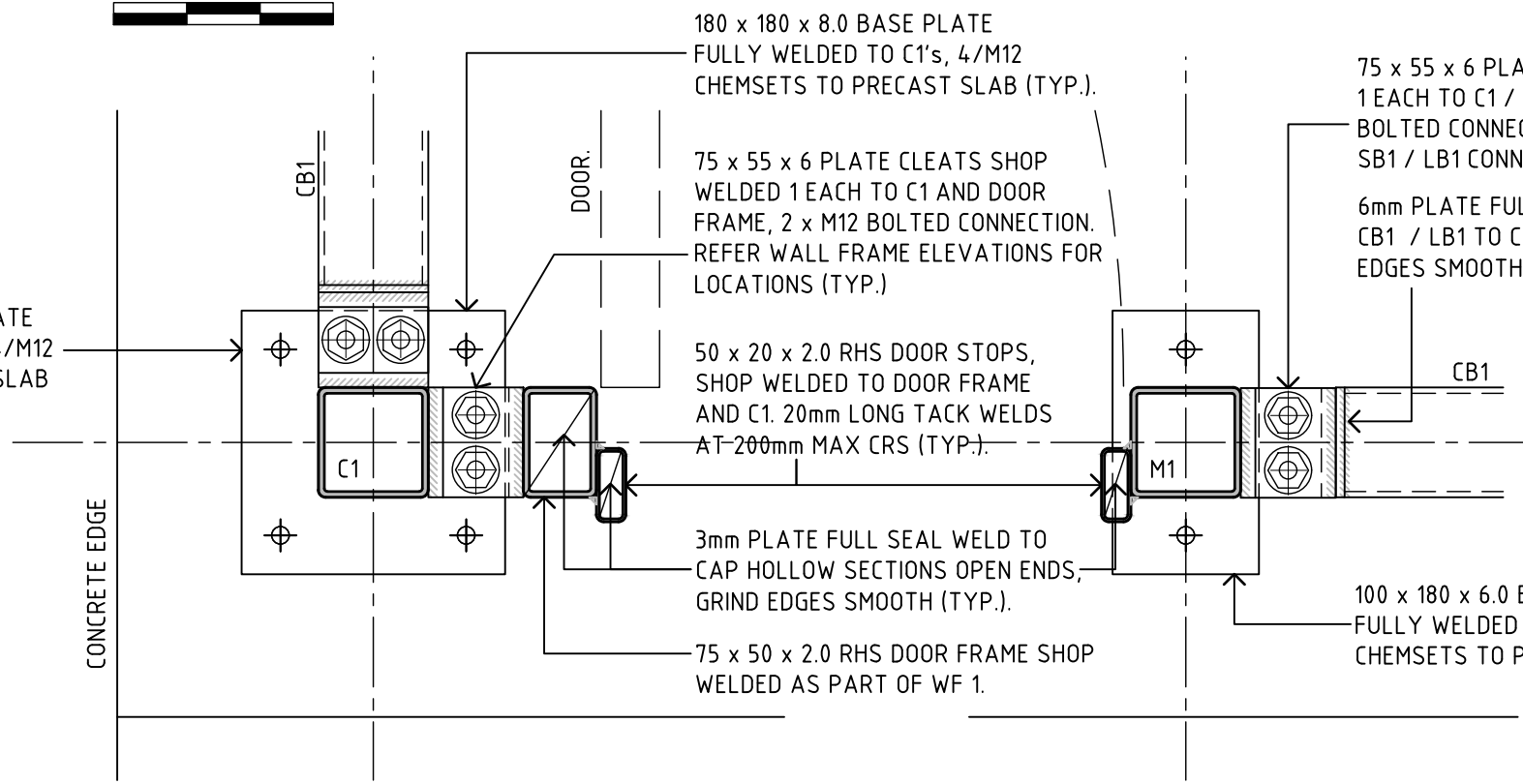
0.48 BMT CUSTOM ORB WALL CLADDING OR SIMILAR, VALLEY FIX IN ACCORDANCE WITH THE N.T. D.T.C. STANDARD DETAIL M/309/01 COLORBOND FINISH (TYP.).

0.55 BMT COLORBOND PURPOSE MADE CORNER FLASHING, TEK SCREW FIXED (TYP.).



**6 SECTION**  
A12 SCALE - 1:5  
0 50 100 150mm

180 x 180 x 10.0 BASE PLATE FULLY WELDED TO C1's, 4/M12 CHEMSETS TO PRECAST SLAB (TYP.).



**7 SECTION**  
A12 SCALE - 1:5  
0 50 100 150mm

0	ISSUED AS A STANDARD DRAWING	25/11/20	SG	DIPL
No.	DESCRIPTION	DATE	INIT.	DEPT/COMPANY
AMENDMENTS				
Plot Date: 25/11/2020				

DISCLAIMER  
THIS IS NOT A CONTROLLED DOCUMENT. VERIFY IT IS CURRENT BEFORE USE. THIS IS A REPRESENTATIONAL DRAWING. DO NOT ASSUME THAT THIS DRAWING IS COMPLETE, ACCURATE OR DRAWN EXACTLY TO SCALE. THIS DRAWING IS CERTIFIED AS IS AND ONLY FOR THIS PROJECT (UNLESS NOTED OTHERWISE). ANY ALTERATIONS OF THIS DRAWING IN ANY WAY RENDERS THE CERTIFICATION INVALID. USE OF INFORMATION FROM THIS DRAWING FOR ANY OTHER PROJECT OR OTHER ELEMENT OF THIS PROJECT REQUIRES VERIFICATION OF ITS ADEQUACY AND NEW CERTIFICATION ISSUED.

**CONCURRED STRUCTURAL ONLY**  
NORTHERN TERRITORY GOVERNMENT  
DEPARTMENT OF INFRASTRUCTURE, PLANNING & LOGISTICS  
Level 4, Highway House, Palmerston Circuit, Palmerston  
PO Box 61, Palmerston NT 0831  
Signed: *Jorge Mu* 25/11/20  
Registration No.: 33896ES

DRAWN	S.G.	CHECKED	-
DATE:	OCT. 2020	DATE:	-
DESIGNED	S.G.	CHECKED	-
DATE:	OCT. 2020	DATE:	-
DESIGN PROJECT LEADER	NTG PROJECT MANAGER		
DATE:		DATE:	



STANDARD DRAWINGS REST AREA INFRASTRUCTURE TOILET BLOCK				
SECTIONS 6 AND 7				
NTG PROJECT No.	NTG ASSET No.	SHEET No.	NTG DRAWING No.	AMENDMENT
-	-	A13 OF 15	CS3812	0
				SHEET SIZE A3