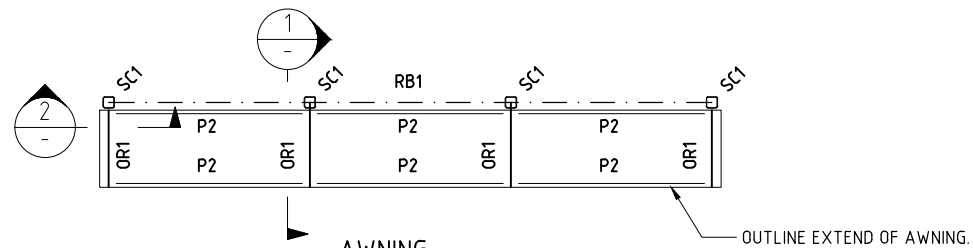


MAIN ROOF



AWNING

ROOF FRAMING PLANS  
SCALE B

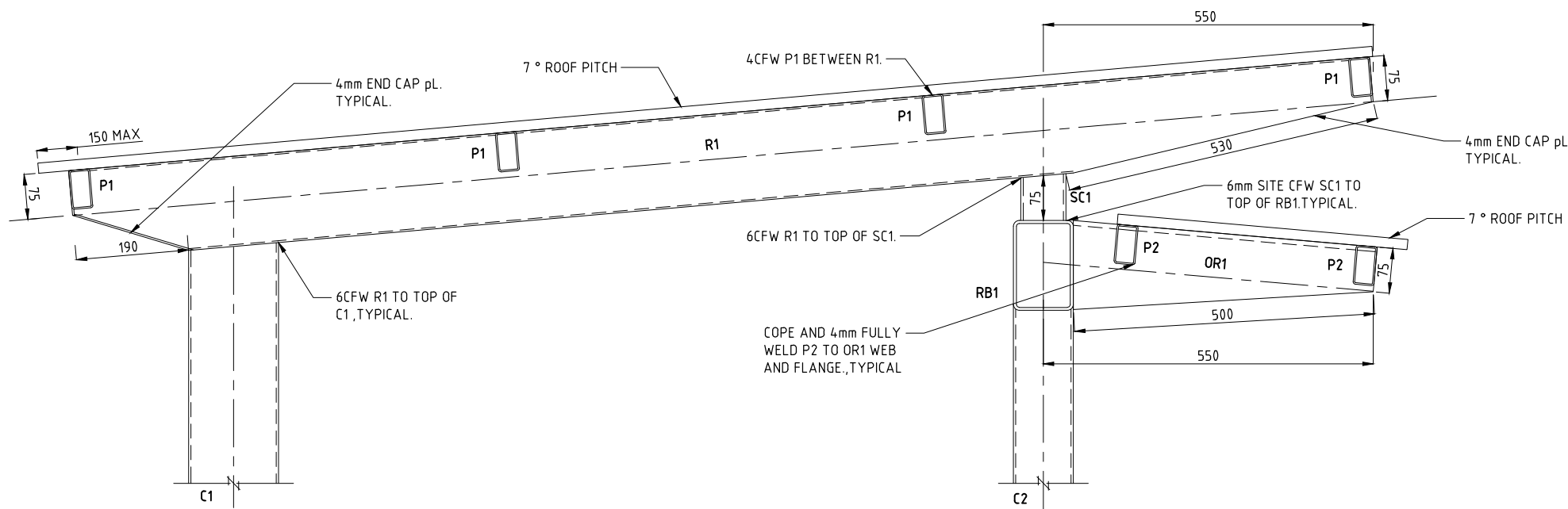
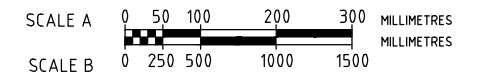
STRUCTURAL MEMBER SCHEDULE  
STRUCTURAL STEELWORK

MARK	DESCRIPTION	REINFORCEMENT / COMMENTS
C1	150x100x4.0 RHS	COLUMN
C2	100x4.0 SHS	COLUMN
R1	150x100x4.0 RHS	RAFTER.
RB1	150x100x4.0 RHS	ROOF BEAM.
OR1	155BT16	OUTRIGGER.
SC1	75x75x3.0 SHS	STUB COLUMN,
P1	65x35x2.5 RHS	PURLIN.
P2	65x35x2.5 RHS	PURLIN.

- 3mm END CAP pL. ALL EXPOSED HOLLOW SECTION ENDS U.N.O.
- ALL HOLLOW SECTIONS TO BE GRADE C350 LO

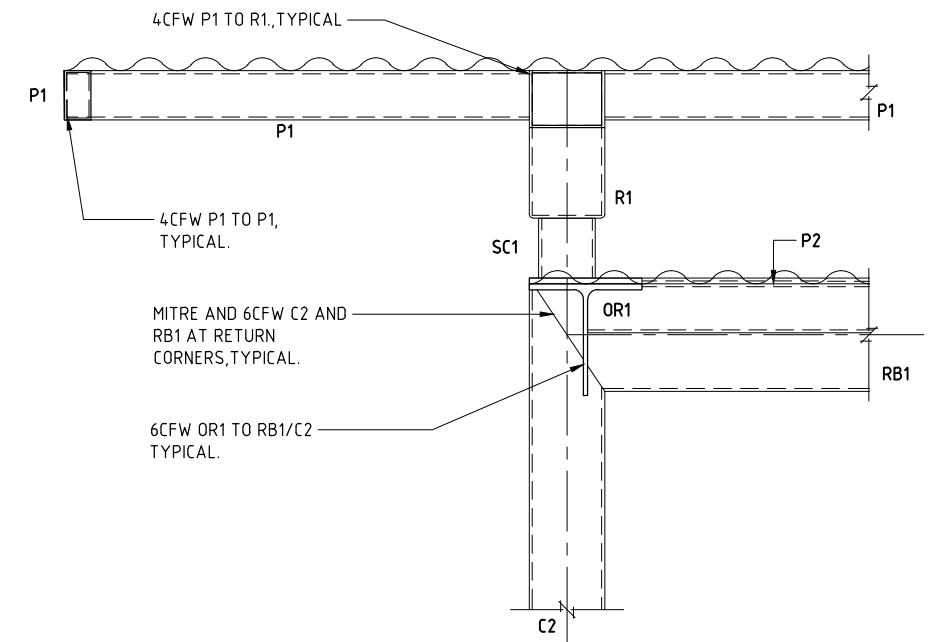
ROOF NOTE:

- 0.48 BMT "BLUESCOPE LYSAGHT" COLORBOND CUSTOM ORB ROOF SHEETING (OR EQUAL APPROVED BY SUPERINTENDENT) CREST FIXED TO RELEVANT CURRENT DTC REQUIREMENT AS NOMINATED ON STRUCTURAL NOTES, CS3700.



TYPICAL ROOF FRAMING DETAIL

DETAIL 1  
SCALE A



TYPICAL ROOF FRAMING DETAIL

DETAIL 2  
SCALE A

DRAWING IS TYPICAL ONLY. OBTAIN BUILDING PERMIT BEFORE CONSTRUCTION.

No.	DESCRIPTION	DATE	NAME	DEPT./COMPANY
0	REISSUED WITH DDA COMPLIANCE	APR 2022	S.J	EES/DIPL
AMENDMENTS				

**WARNING**  
BEWARE OF UNDERGROUND SERVICES. THE LOCATION OF UNDERGROUND SERVICES ARE APPROXIMATE ONLY AND THEIR EXACT POSITION SHOULD BE PROVEN ON SITE. NO GUARANTEE IS GIVEN THAT ALL EXISTING SERVICES ARE SHOWN.

**CONCURRED STRUCTURAL ONLY**  
NORTHERN TERRITORY GOVERNMENT  
DEPARTMENT OF INFRASTRUCTURE, PLANNING & LOGISTICS  
Level 4, Highway House, Palmerston Circuit, Palmerston  
PO Box 61, Palmerston NT 0831  
Signed: *Jorge Mu* 06/04/22  
Registration No.: 33896ES

DRAWN	DIPL	CHECKED	DIPL
DATE	APR 2022	DATE	APR 2022
DESIGNED	DIPL	CHECKED	DIPL
DATE	APR 2022	DATE	APR 2022
DESIGN LEADER	DIPL	DESIGN DIRECTOR	DIPL
DATE	APR 2022	DATE	APR 2022



STANDARD DRAWINGS  
BUS SHELTERS & ASSOCIATED INFRASTRUCTURE

SHELTER - TYPE 14A - 3 BAY  
ROOF FRAMING PLANS & DETAILS

FILE No.	ASSET No.	SHEET No.	DRAWING No.	AMEND.	SHEET SIZE
-	-	6 OF 6	CS3705	0	A1