

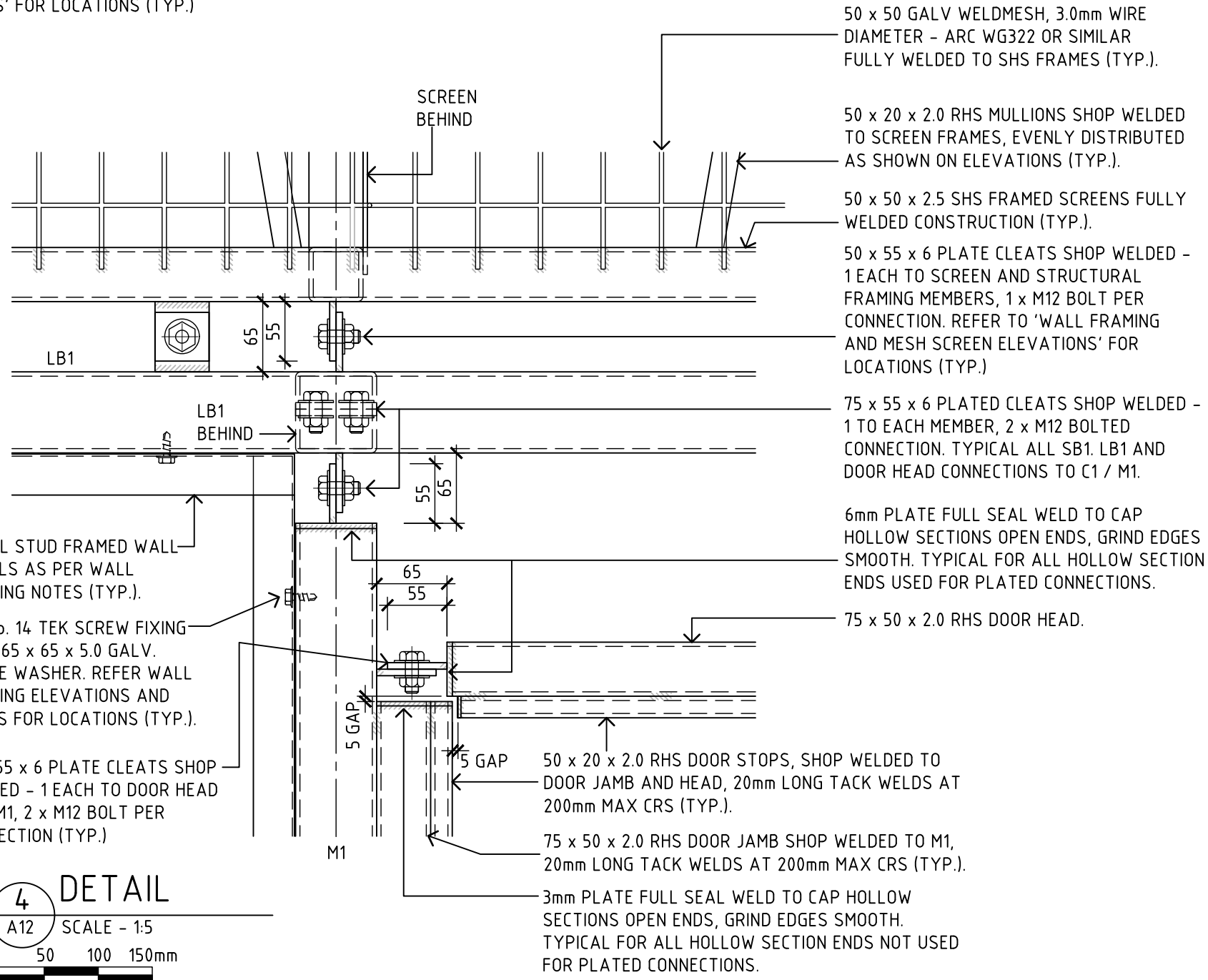
3 DETAIL
A12 SCALE - 1:5
0 50 100 150mm

50 x 55 x 6 PLATE CLEATS SHOP WELDED - 1 EACH TO SCREEN AND STRUCTURAL FRAMING MEMBERS, 1 x M12 BOLT PER CONNECTION. REFER TO 'WALL FRAMING AND MESH SCREEN ELEVATIONS' FOR LOCATIONS (TYP.)

2/75 x 50 x 6 PLATE CLEATS SHOP WELDED TO R1's FOR P1 FIXING (TYP.).

50 x 50 GALV WELDMESH (TYP.).

50 x 50 x 2.5 SHS FRAMED SCREENS FULLY WELDED CONSTRUCTION (TYP.).



4 DETAIL
A12 SCALE - 1:5
0 50 100 150mm

METAL STUD FRAMED WALL PANELS AS PER WALL FRAMING NOTES (TYP.).

2 / No. 14 TEK SCREW FIXING WITH 65 x 65 x 5.0 GALV. PLATE WASHER. REFER WALL FRAMING ELEVATIONS AND NOTES FOR LOCATIONS (TYP.).

75 x 55 x 6 PLATE CLEATS SHOP WELDED - 1 EACH TO DOOR HEAD AND M1, 2 x M12 BOLT PER CONNECTION (TYP.)

50 x 50 GALV WELDMESH, 3.0mm WIRE DIAMETER - ARC WG322 OR SIMILAR FULLY WELDED TO SHS FRAMES (TYP.).

50 x 20 x 2.0 RHS MULLIONS SHOP WELDED TO SCREEN FRAMES, EVENLY DISTRIBUTED AS SHOWN ON ELEVATIONS (TYP.).

50 x 50 x 2.5 SHS FRAMED SCREENS FULLY WELDED CONSTRUCTION (TYP.).

50 x 55 x 6 PLATE CLEATS SHOP WELDED - 1 EACH TO SCREEN AND STRUCTURAL FRAMING MEMBERS, 1 x M12 BOLT PER CONNECTION. REFER TO 'WALL FRAMING AND MESH SCREEN ELEVATIONS' FOR LOCATIONS (TYP.)

75 x 55 x 6 PLATED CLEATS SHOP WELDED - 1 TO EACH MEMBER, 2 x M12 BOLTED CONNECTION. TYPICAL ALL SB1, LB1 AND DOOR HEAD CONNECTIONS TO C1 / M1.

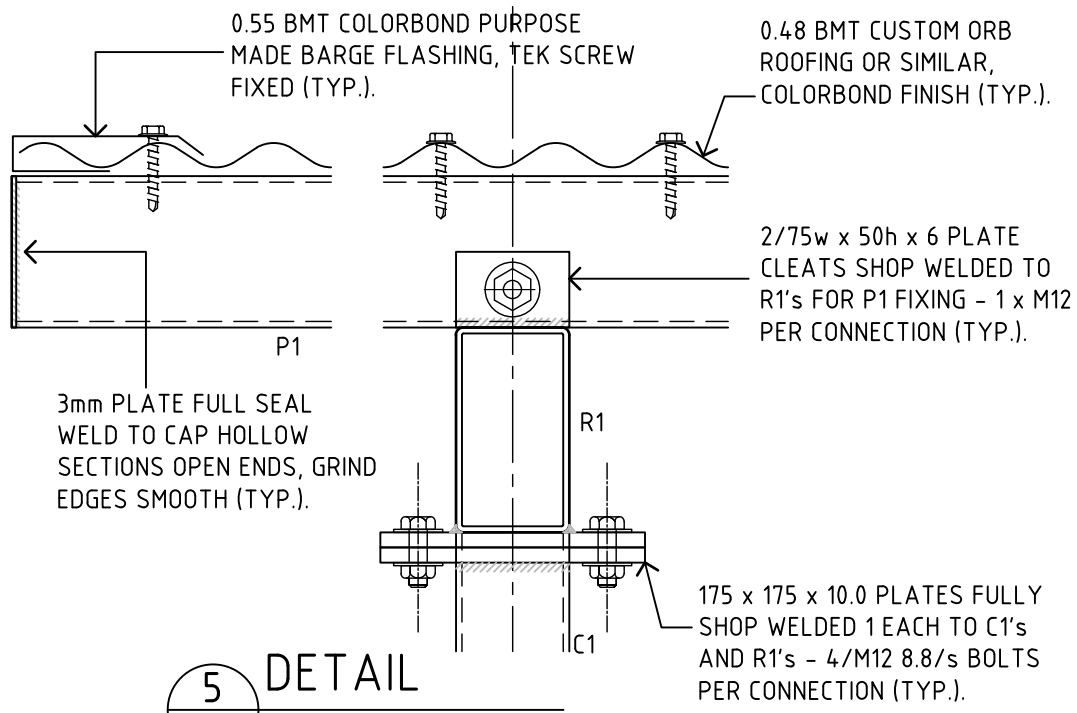
6mm PLATE FULL SEAL WELD TO CAP HOLLOW SECTIONS OPEN ENDS, GRIND EDGES SMOOTH. TYPICAL FOR ALL HOLLOW SECTION ENDS USED FOR PLATED CONNECTIONS.

75 x 50 x 2.0 RHS DOOR HEAD.

50 x 20 x 2.0 RHS DOOR STOPS, SHOP WELDED TO DOOR JAMB AND HEAD, 20mm LONG TACK WELDS AT 200mm MAX CRS (TYP.).

75 x 50 x 2.0 RHS DOOR JAMB SHOP WELDED TO M1, 20mm LONG TACK WELDS AT 200mm MAX CRS (TYP.).

3mm PLATE FULL SEAL WELD TO CAP HOLLOW SECTIONS OPEN ENDS, GRIND EDGES SMOOTH. TYPICAL FOR ALL HOLLOW SECTION ENDS NOT USED FOR PLATED CONNECTIONS.



5 DETAIL
A12 SCALE - 1:5
0 50 100 150mm

0.55 BMT COLORBOND PURPOSE MADE BARGE FLASHING, TEK SCREW FIXED (TYP.).

0.48 BMT CUSTOM ORB ROOFING OR SIMILAR, COLORBOND FINISH (TYP.).

2/75w x 50h x 6 PLATE CLEATS SHOP WELDED TO R1's FOR P1 FIXING - 1 x M12 PER CONNECTION (TYP.).

3mm PLATE FULL SEAL WELD TO CAP HOLLOW SECTIONS OPEN ENDS, GRIND EDGES SMOOTH (TYP.).

175 x 175 x 10.0 PLATES FULLY SHOP WELDED 1 EACH TO C1's AND R1's - 4/M12 8.8/s BOLTS PER CONNECTION (TYP.).

DISCLAIMER				
THIS IS NOT A CONTROLLED DOCUMENT. VERIFY IT IS CURRENT BEFORE USE. THIS IS A REPRESENTATIONAL DRAWING. DO NOT ASSUME THAT THIS DRAWING IS COMPLETE, ACCURATE OR DRAWN EXACTLY TO SCALE. THIS DRAWING IS CERTIFIED AS IS AND ONLY FOR THIS PROJECT (UNLESS NOTED OTHERWISE). ANY ALTERATIONS OF THIS DRAWING IN ANY WAY RENDERS THE CERTIFICATION INVALID. USE OF INFORMATION FROM THIS DRAWING FOR ANY OTHER PROJECT OR OTHER ELEMENT OF THIS PROJECT REQUIRES VERIFICATION OF ITS ADEQUACY AND NEW CERTIFICATION ISSUED.				
CONCURRED STRUCTURAL ONLY				
NORTHERN TERRITORY GOVERNMENT DEPARTMENT OF INFRASTRUCTURE, PLANNING & LOGISTICS Level 4, Highway House, Palmerston Circuit, Palmerston PO Box 61, Palmerston NT 0831				
Signed: <i>Jorge Mu</i> 25/11/20 Registration No.: 33896ES				
0	ISSUED AS A STANDARD DRAWING	25/11/20	SG	DIPL
No.	DESCRIPTION	DATE	INIT.	DEPT/COMPANY
AMENDMENTS				
Plot Date: 25/11/2020				

DRAWN	S.G.	CHECKED	-
DATE:	OCT. 2020	DATE:	-
DESIGNED	S.G.	CHECKED	-
DATE:	OCT. 2020	DATE:	-
DESIGN PROJECT LEADER	NTG PROJECT MANAGER		
DATE:		DATE:	

Northern Territory Government	
NTG PROJECT No.	NTG ASSET No.
SHEET No.	NTG DRAWING No.
AMENDMENT	SHEET SIZE

Northern Territory Government	
NTG PROJECT No.	NTG ASSET No.
SHEET No.	NTG DRAWING No.
AMENDMENT	SHEET SIZE

STANDARD DRAWINGS REST AREA INFRASTRUCTURE TOILET BLOCK				
DETAILS 3, 4 AND 5				
NTG PROJECT No.	NTG ASSET No.	SHEET No.	NTG DRAWING No.	AMENDMENT
-	-	A14 OF 15	CS3813	0
SHEET SIZE A3				