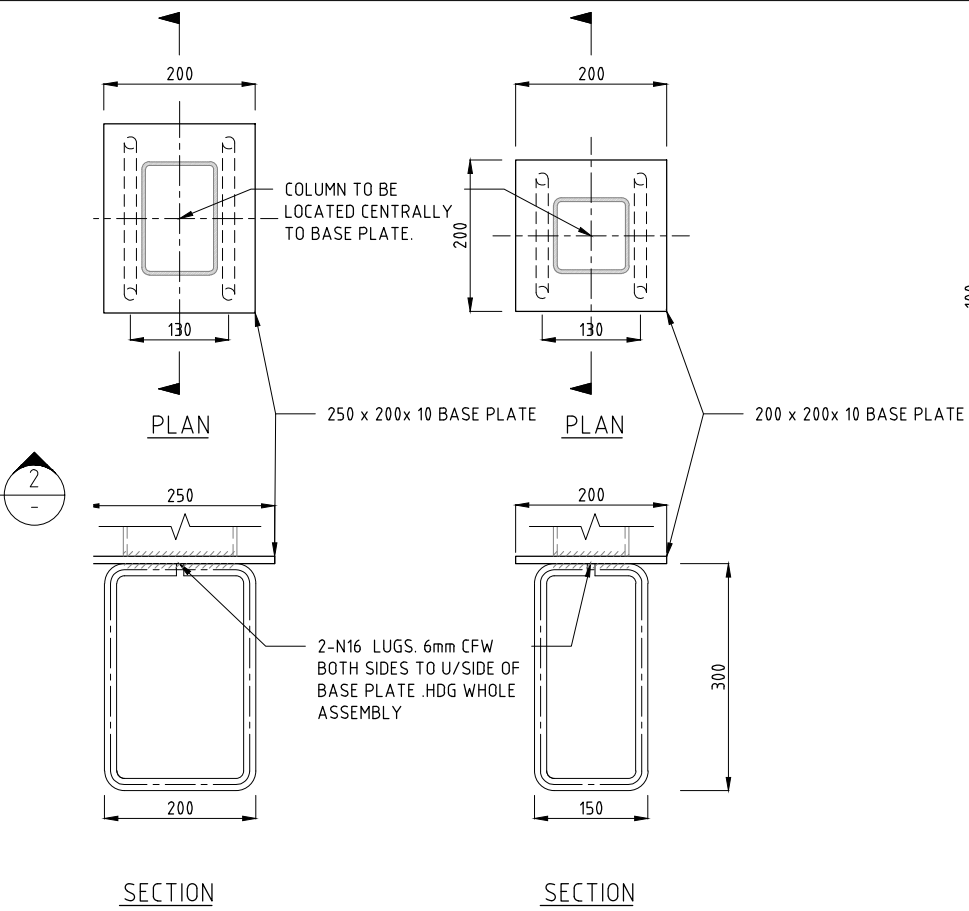


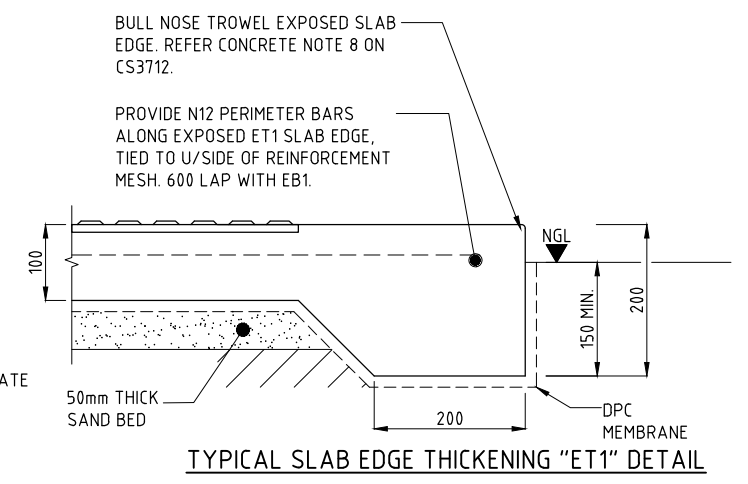
SLAB LAYOUT PLAN (OPTION 1)
SCALE B

REFER TACTILE NOTES ON CS3712 AND CS3713 FOR SETOUT DETAILS.



BASE PLATE DETAIL FOR 150x100 RHS
SCALE A

BASE PLATE DETAIL FOR 100x100 SHS
SCALE A



TYPICAL SLAB EDGE THICKENING "ET1" DETAIL

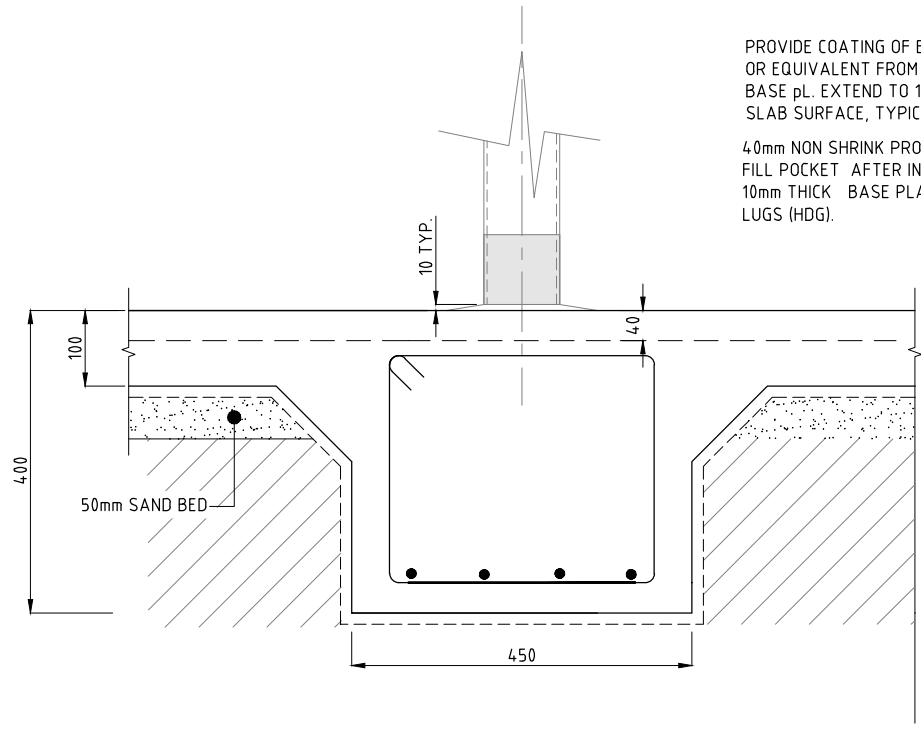
SECTION 2
SCALE A

SLAB STRUCTURAL MEMBER SCHEDULE		
MARK	DESCRIPTION	REINFORCEMENT / COMMENTS
ET1	200x200MIN. DEEP	SLAB EDGE THICKENING. REFER TO DETAILS.
EB1	500x400 DEEP	SLAB EDGE BEAM. 4L11TM AT BOTTOM WITH R10 LIGS AT NOMINAL 450 CRS, 40 MIN COVER. REFER TO DETAILS.
IB1	450x400 DEEP	INTERNAL SLAB BEAM. 4L11TM AT BOTTOM WITH R10 LIGS AT NOMINAL 450 CRS, 40 MIN COVER. REFER TO DETAILS.

1. DEPTHS SHOWN ARE MINIMAL AND MAY VARY WITH NATURAL SITE CONTOURS.

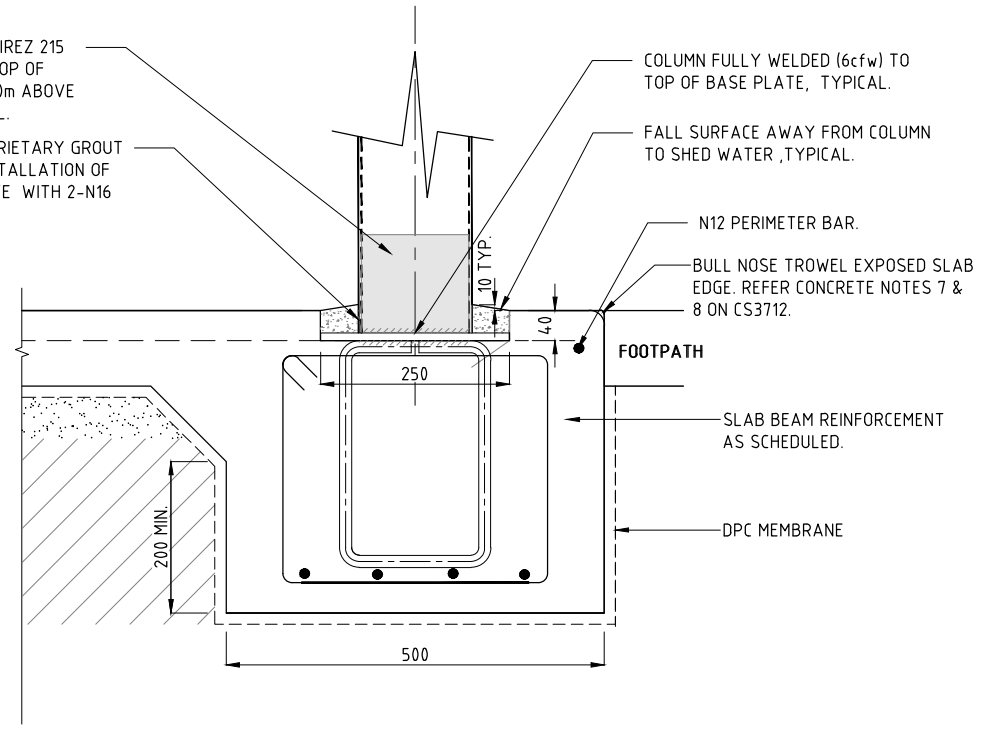
NOTES:

- 100 THICK N32 (32MPa) CONCRETE WITH SL82 MESH 40 TOP COVER, 0.2mm THICK DPC UNDERLAY AND 50mm SAND BED ON CONSOLIDATED COMPACTED FILL.
- REFER TO ASSOCIATED ARCH. DRAWINGS FOR SLAB/ RAMP LEVELS AND SURFACE FALLS
- REFER NOTE 9 UNDER STEEL WORKS ON CS3712 FOR PROTECTIVE SURFACE COATING TREATMENT.

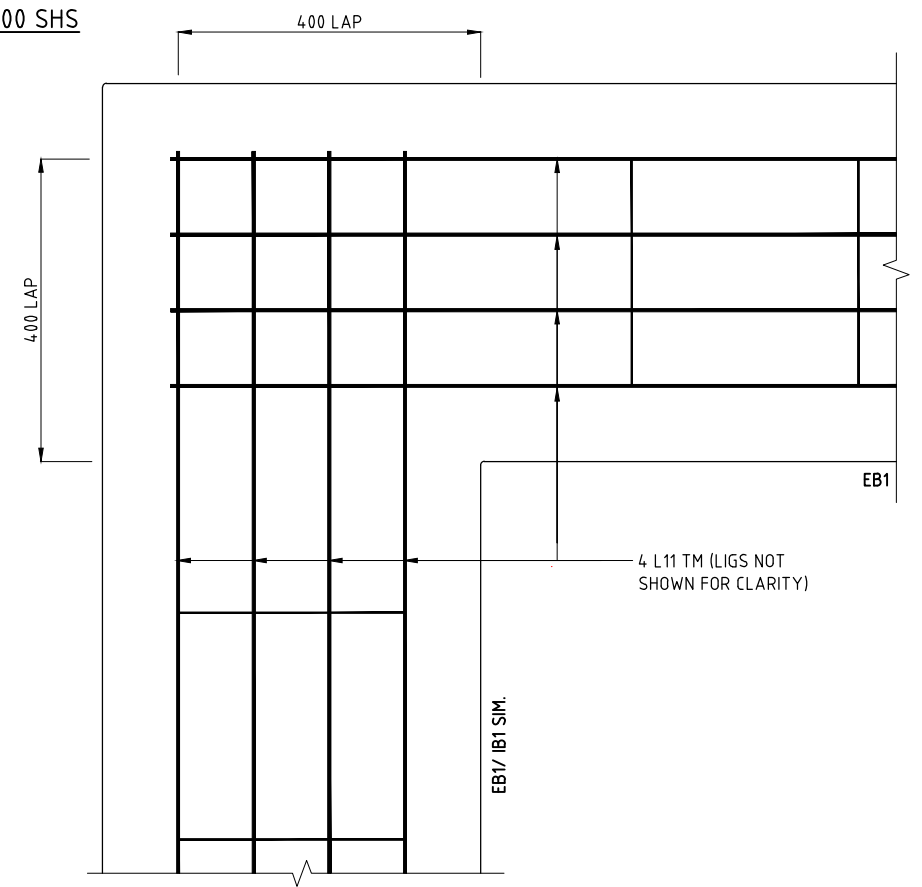


TYPICAL SLAB BEAM "IB1" DETAIL

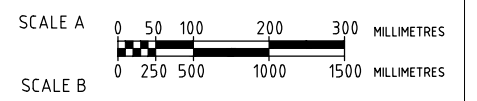
SECTION 1
SCALE A



TYPICAL SLAB BEAM "EB1" DETAIL



TYPICAL FOOTING LOWER REINFORCEMENT DETAIL
SCALE A



DRAWING IS TYPICAL ONLY. OBTAIN BUILDING PERMIT BEFORE CONSTRUCTION.

No.	DESCRIPTION	DATE	NAME	DEPT./COMPANY
0	RENUMBERED AND REISSUED WITH DDA COMPLIANCE	APR 2022	S.J.	EES/DIPL
AMENDMENTS				

WARNING
BEWARE OF UNDERGROUND SERVICES. THE LOCATION OF UNDERGROUND SERVICES ARE APPROXIMATE ONLY AND THEIR EXACT POSITION SHOULD BE PROVEN ON SITE. NO GUARANTEE IS GIVEN THAT ALL EXISTING SERVICES ARE SHOWN.

CONCURRED STRUCTURAL ONLY
NORTHERN TERRITORY GOVERNMENT
DEPARTMENT OF INFRASTRUCTURE, PLANNING & LOGISTICS
Level 4, Highway House, Palmerston Circuit, Palmerston
PO Box 61, Palmerston NT 0831
Signed: *Jorge Mu* 06/04/22
Registration No.: 33896ES

DRAWN	DIPL	CHECKED	DIPL
DATE	APR 2022	DATE	APR 2022
DESIGNED	DIPL	CHECKED	DIPL
DATE	APR 2022	DATE	APR 2022
DESIGN LEADER	DIPL	DESIGN DIRECTOR	DIPL
DATE	APR 2022	DATE	APR 2022



STANDARD DRAWINGS BUS SHELTERS & ASSOCIATED INFRASTRUCTURE				
SHELTER - TYPE 14C - 4 BAY SLAB LAYOUT PLAN AND DETAILS (OPTION 1)				
FILE No.	ASSET No.	SHEET No.	DRAWING No.	AMEND.
-	-	4 OF 6	CS3715	0
				SHEET SIZE A1