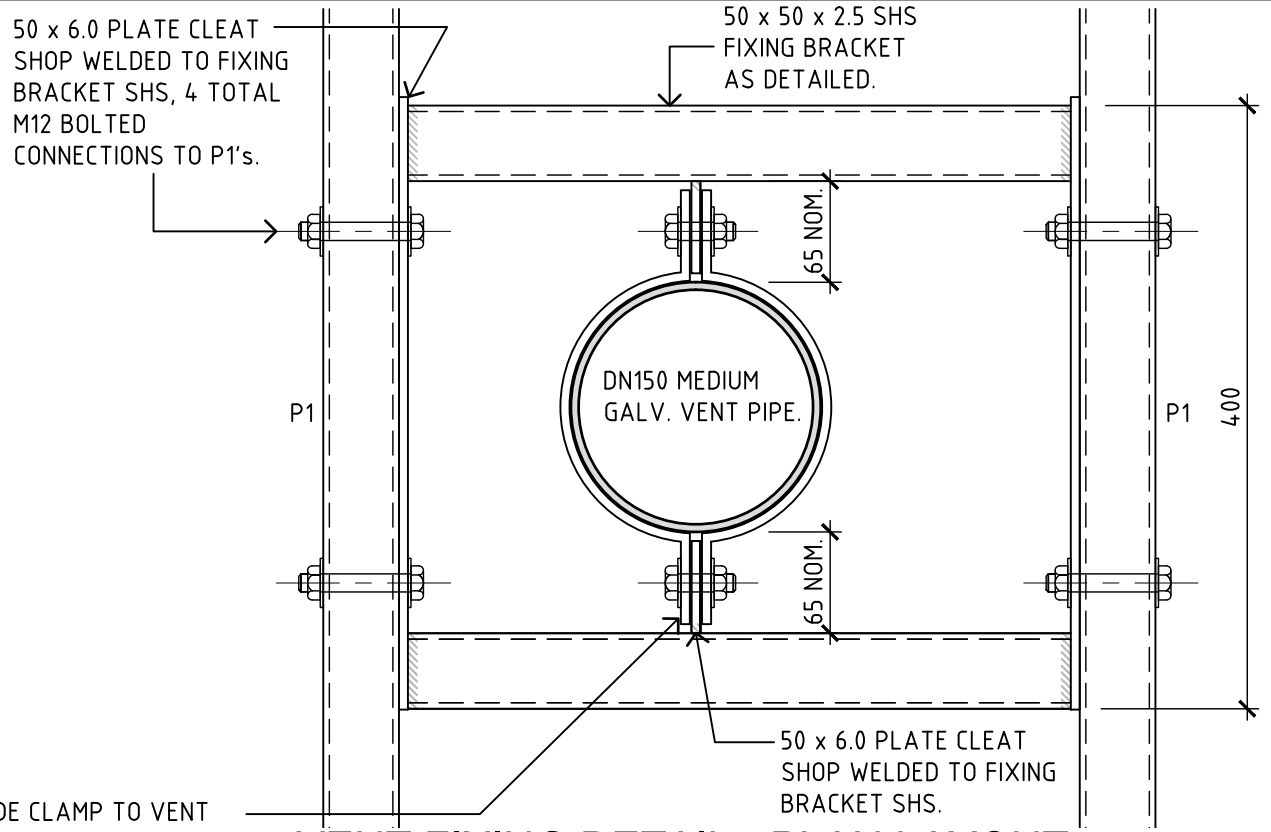


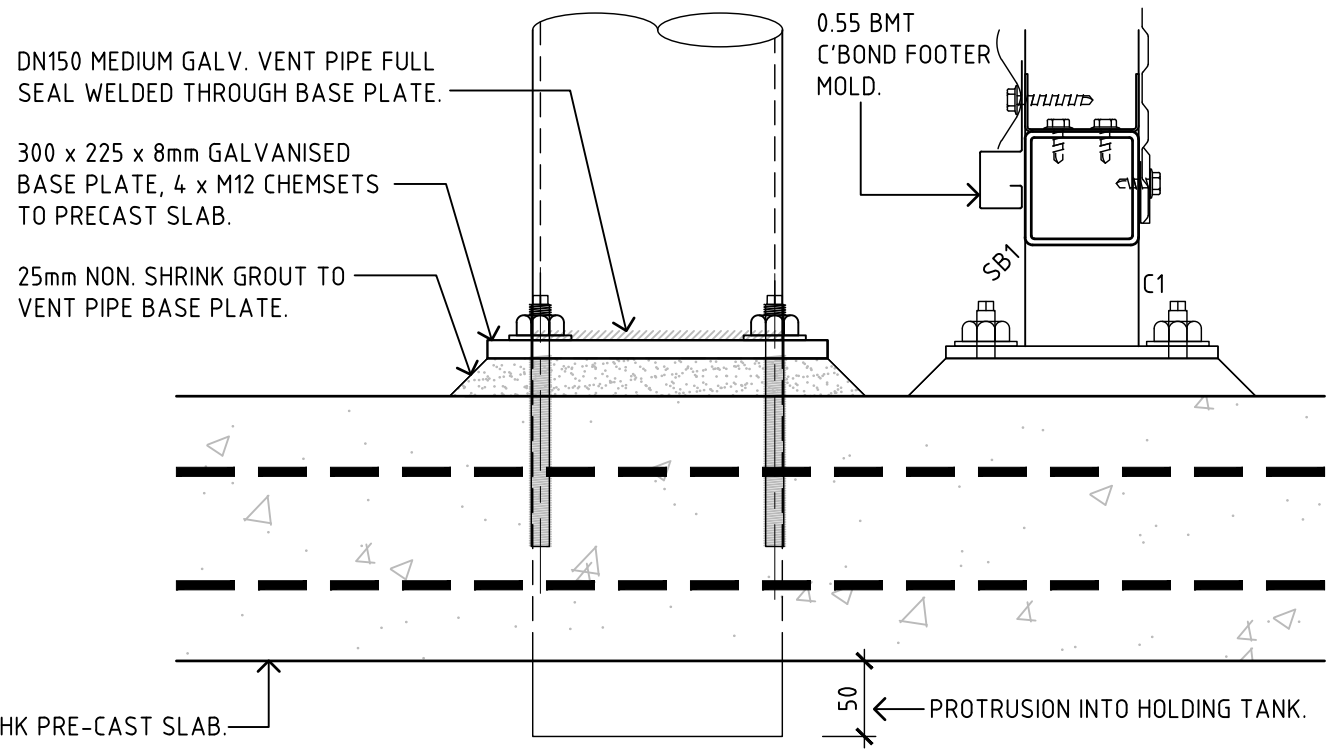
VENT FIXING DETAIL - ELEVATION

SCALE - 1:5
0 50 100 150mm



VENT FIXING DETAIL - PLAN LAYOUT

SCALE - 1:5
0 50 100 150mm



VENT BASE PLATE FIXING DETAIL

SCALE - 1:5
0 50 100 150mm

0	ISSUED AS A STANDARD DRAWING	25/11/20	SG	DIPL
No.	DESCRIPTION	DATE	INIT.	DEPT./COMPANY.
AMENDMENTS				
Plot Date: 25/11/2020				

DISCLAIMER
THIS IS NOT A CONTROLLED DOCUMENT. VERIFY IT IS CURRENT BEFORE USE. THIS IS A REPRESENTATIONAL DRAWING. DO NOT ASSUME THAT THIS DRAWING IS COMPLETE, ACCURATE OR DRAWN EXACTLY TO SCALE. THIS DRAWING IS CERTIFIED AS IS AND ONLY FOR THIS PROJECT (UNLESS NOTED OTHERWISE). ANY ALTERATIONS OF THIS DRAWING IN ANY WAY RENDER THE CERTIFICATION INVALID. USE OF INFORMATION FROM THIS DRAWING FOR ANY OTHER PROJECT OR OTHER ELEMENT OF THIS PROJECT REQUIRES VERIFICATION OF ITS ADEQUACY AND NEW CERTIFICATION ISSUED.

CONCURRED STRUCTURAL ONLY
NORTHERN TERRITORY GOVERNMENT
DEPARTMENT OF INFRASTRUCTURE, PLANNING & LOGISTICS
Level 4, Highway House, Palmerston Circuit, Palmerston
PO Box 61, Palmerston NT 0831

Signed: *Jorge Mu* 25/11/20
Registration No.: 33896ES

DRAWN	S.G.	CHECKED	-
DATE:	OCT. 2020	DATE:	-
DESIGNED	S.G.	CHECKED	-
DATE:	OCT. 2020	DATE:	-
DESIGN PROJECT LEADER	NTG PROJECT MANAGER		
DATE:		DATE:	



STANDARD DRAWINGS REST AREA INFRASTRUCTURE TOILET BLOCK				
VENT PIPE FIXING DETAILS				
NTG PROJECT No.	NTG ASSET No.	SHEET No.	NTG DRAWING No.	AMENDMENT
-	-	A15 OF 15	CS3814	0
				SHEET SIZE A3