

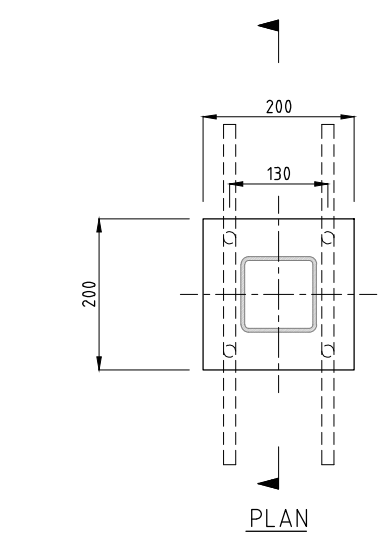
REFER TACTILE NOTES ON CS3712 AND CS3713 FOR SETOUT DETAILS.

SLAB LAYOUT PLAN (OPTION 2)

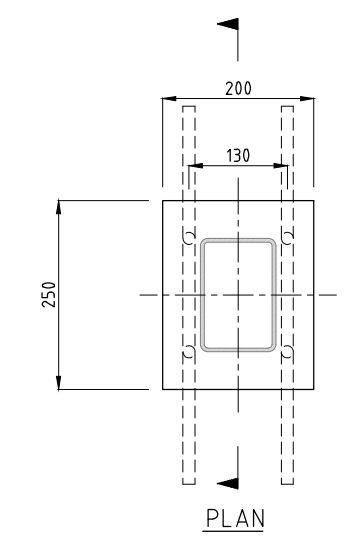
SCALE B

NOTES:

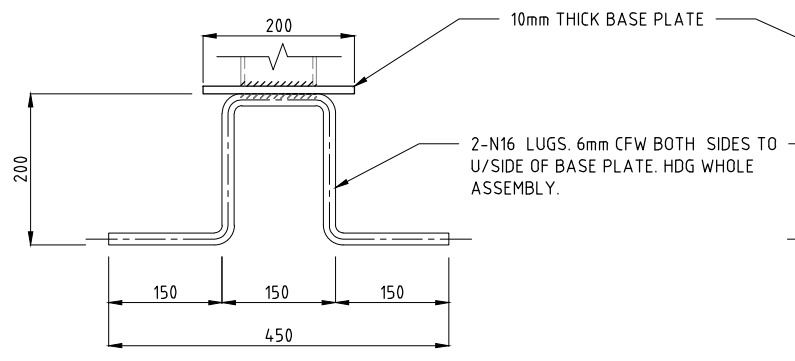
- 280 THICK N32 (32MPa) CONCRETE WITH SL82 MESH TOP & BOTTOM. 40 COVER, 2 LAYERS. 0.2mm THICK DPC UNDERLAY ON 50mm SAND BED.
- 1-N16 PERIMETER BAR TIED TO U/SIDE OF TOP FABRIC 30mm EDGE COVER, PROVIDE 800x800xN16 CORNER LAP BAR.



PLAN



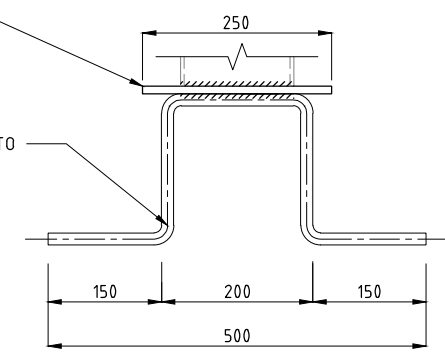
PLAN



SECTION

BASE PLATE DETAILS FOR 100x100 SHS

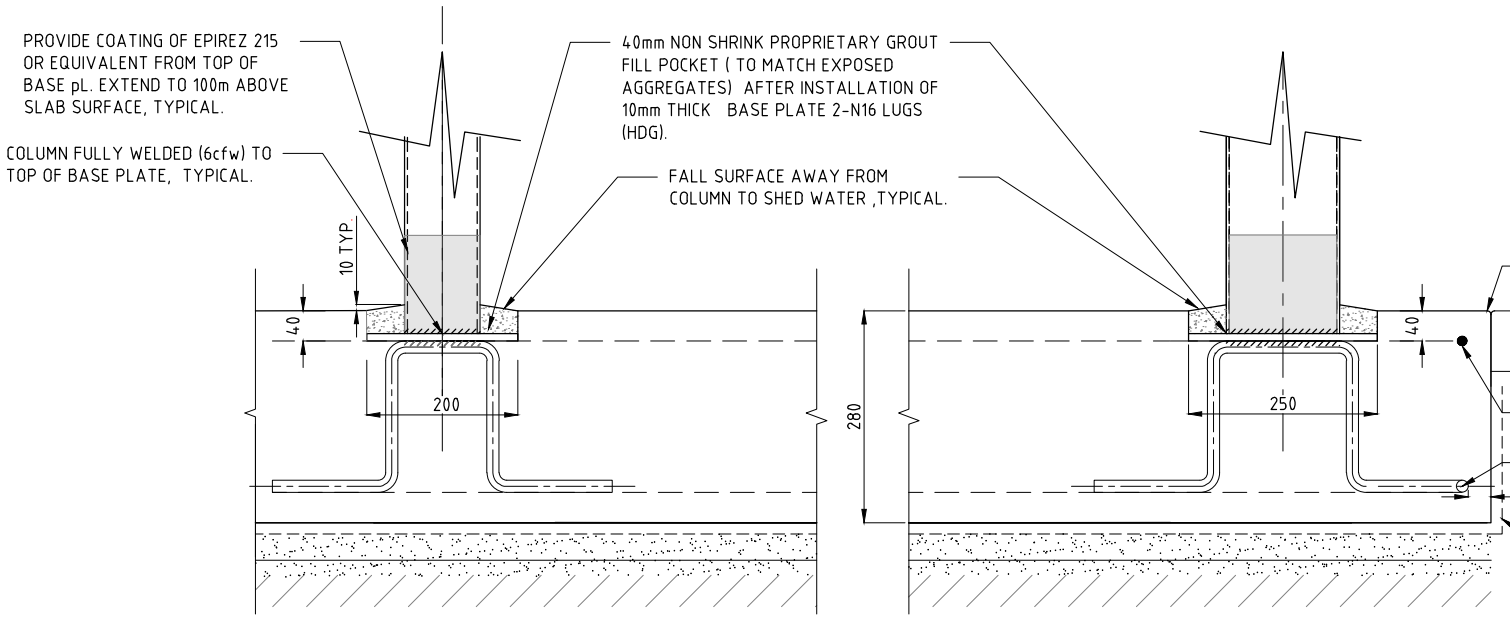
SCALE A



SECTION

BASE PLATE DETAILS FOR 150x100 RHS

SCALE A



TYPICAL 100x 100 SHS COLUMN FIXING TO SLAB

TYPICAL COLUMN 150x100 RHS FIXING TO SLAB

1 SECTION SCALE A

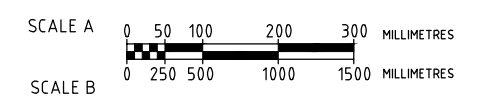
PROVIDE COATING OF EPIREZ 215 OR EQUIVALENT FROM TOP OF BASE PL. EXTEND TO 100mm ABOVE SLAB SURFACE, TYPICAL.

40mm NON SHRINK PROPRIETARY GROUT FILL POCKET (TO MATCH EXPOSED AGGREGATES) AFTER INSTALLATION OF 10mm THICK BASE PLATE 2-N16 LUGS (HDG).

FALL SURFACE AWAY FROM COLUMN TO SHED WATER, TYPICAL.

FOR SLAB TRANSITION, REFER CONCRETE NOTES 7 & 8 ON CS3712.

FOOTPATH
EXTERNAL PERIMETER EDGE BAR TIED TO U/SIDE OF TOP FABRIC.
CRANK BAR TO MAINTAIN COVER.
30
DPC MEMBRANE



DRAWING IS TYPICAL ONLY. OBTAIN BUILDING PERMIT BEFORE CONSTRUCTION.

No.	DESCRIPTION	DATE	NAME	DEPT./COMPANY
0	RENUMBERED AND REISSUED WITH DDA COMPLIANCE	APR 2022	S.J.	EES/DIPL
AMENDMENTS				

WARNING
BEWARE OF UNDERGROUND SERVICES. THE LOCATION OF UNDERGROUND SERVICES ARE APPROXIMATE ONLY AND THEIR EXACT POSITION SHOULD BE PROVEN ON SITE. NO GUARANTEE IS GIVEN THAT ALL EXISTING SERVICES ARE SHOWN.

CONCURRED STRUCTURAL ONLY
NORTHERN TERRITORY GOVERNMENT
DEPARTMENT OF INFRASTRUCTURE, PLANNING & LOGISTICS
Level 4, Highway House, Palmerston Circuit, Palmerston
PO Box 61, Palmerston NT 0831
Signed: *Jorge Mu* 06/04/22
Registration No.: 33896ES

DRAWN	DIPL	CHECKED	DIPL
DATE	APR 2022	DATE	APR 2022
DESIGNED	DIPL	CHECKED	DIPL
DATE	APR 2022	DATE	APR 2022
DESIGN LEADER	DIPL	DESIGN DIRECTOR	DIPL
DATE	APR 2022	DATE	APR 2022



STANDARD DRAWINGS BUS SHELTERS & ASSOCIATED INFRASTRUCTURE				
SHELTER - TYPE 14C - 4 BAY SLAB LAYOUT PLAN AND DETAIL (OPTION 2)				
FILE No.	ASSET No.	SHEET No.	DRAWING No.	AMEND.
-	-	5 OF 6	CS3716	0
				SHEET SIZE A1