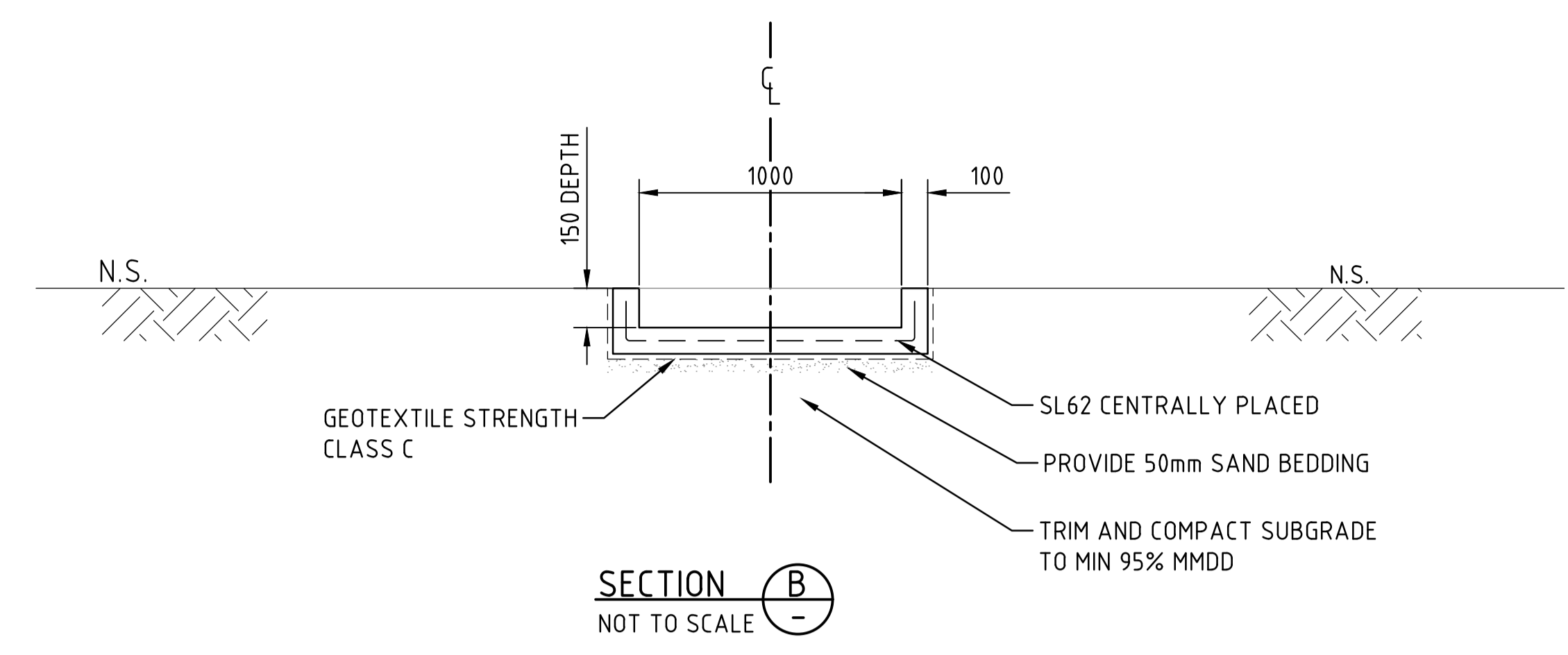
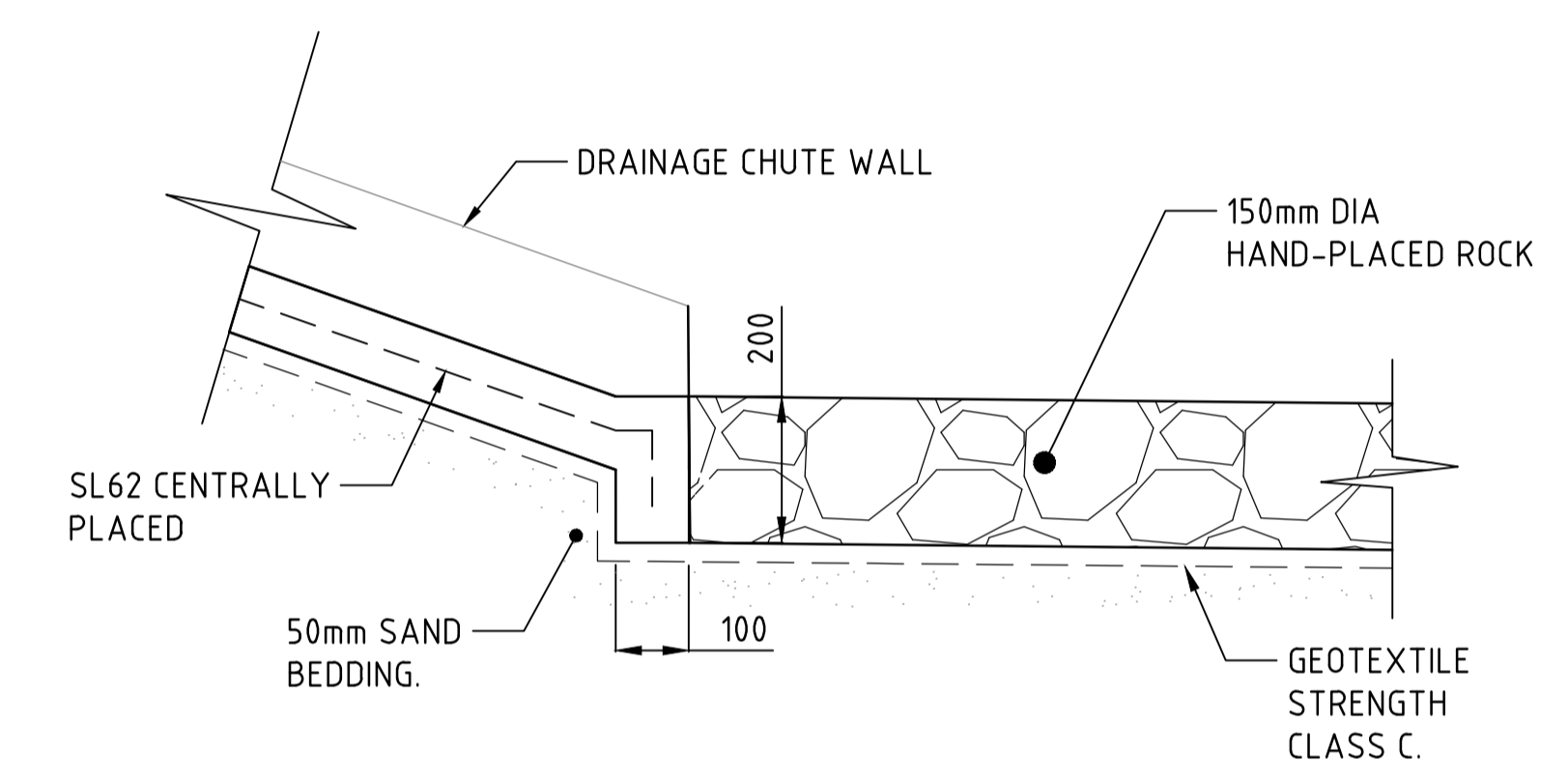


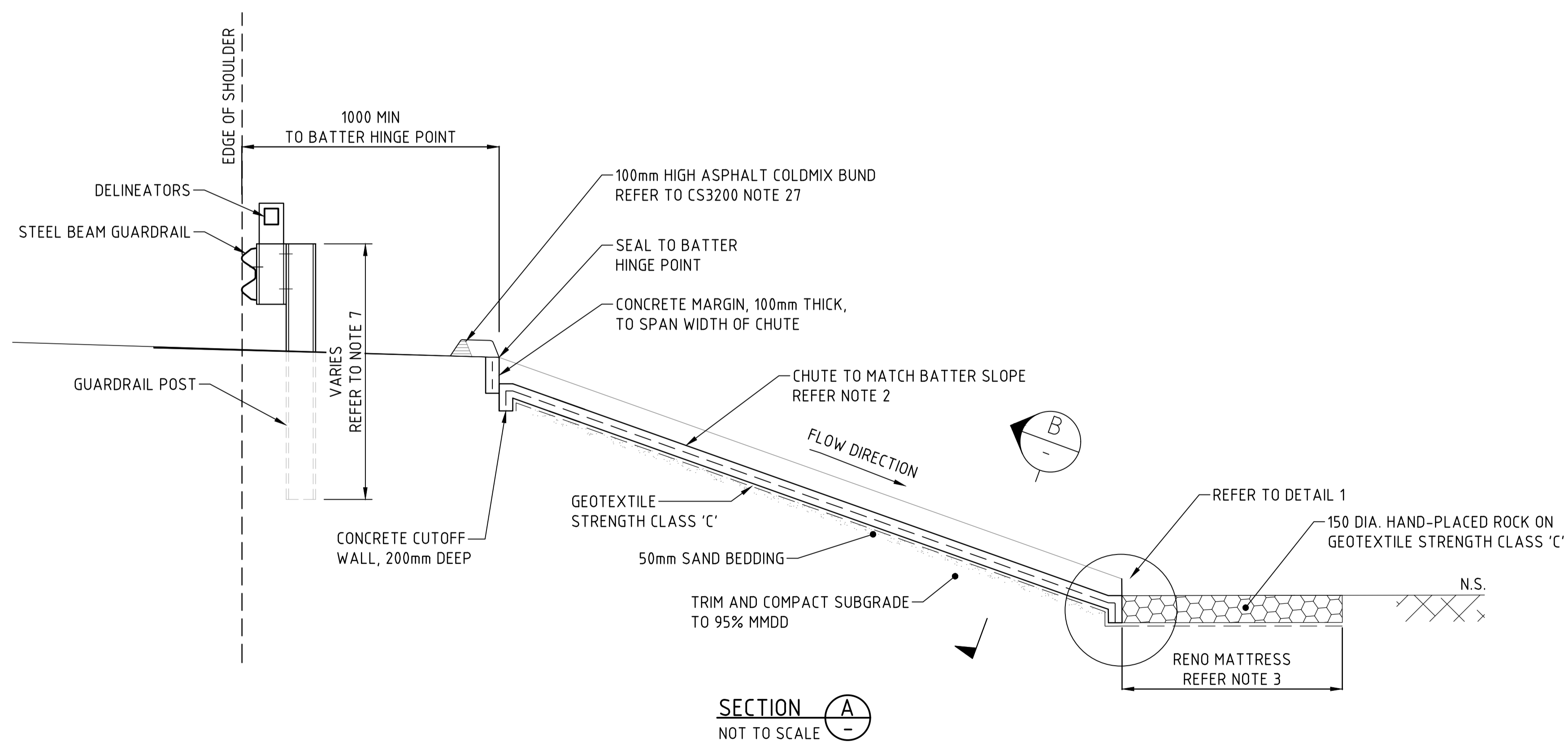
PLAN - DRAINAGE OUTLET
NOT TO SCALE



SECTION B
NOT TO SCALE



DETAIL 1
DRAINAGE OUTLET AND RENO MATTRESS CONNECTION
NOT TO SCALE



SECTION A
NOT TO SCALE

NOTE

1. REFER TO PROJECT DRAWING FOR LOCATION OF THE DRAINAGE OUTLET.
2. SLOPE OF THE DRAINAGE OUTLET VARIES WITH THE SLOPE OF ADJACENT BATTER.
3. LENGTH OF RENO PROTECTION TO BE CONFIRMED ONSITE.
4. ALL CONCRETE SHALL BE N25 IN ACCORDANCE WITH AS3600-2018.
5. ALL DIMENSIONS ARE IN MILLIMETRES UNLESS NOTED OTHERWISE.
6. SPACING OF CONCRETE DRAINAGE OUTLETS VARIES DEPEND ON THE RAIN INTENSITY, LONGITUDINAL GRADE AND CROSS-FALL. REFER TO PROJECT DRAWINGS FOR LOCATION OF THE DRAINAGE OUTLETS.
7. REFER TO THE DEPARTMENT'S WEB PAGE FOR DETAILS AND DIMENSIONS OF ACCEPTED MASH TESTED SAFETY BARRIER INFRASTRUCTURE THAT MAY BE USED IN NORTHERN TERRITORY. LINK:

<https://dipl.nt.gov.au/industry/technical-standards-guidelines-and-specifications/road-safety-barriers>

No.	DESCRIPTION	DATE	NAME	DEPT/COMPANY
1	MINOR AMENDMENT	MAR 2023	J.COOK	DIPL
0	ISSUED AS A STANDARD DRAWING	DEC 2019	S.SHI	EES/DIPL
AMENDMENTS				

WARNING
BEWARE OF UNDERGROUND SERVICES.
THE LOCATIONS OF UNDERGROUND SERVICES ARE APPROXIMATE ONLY AND THEIR EXACT POSITION SHOULD BE PROVEN ON SITE. NO GUARANTEE IS GIVEN THAT ALL EXISTING SERVICES ARE SHOWN.

DRAWN	S.SHI	CHECKED	S.HATZI
DATE	DEC 2019	DATE	DEC 2019
DESIGNED	S.SHI	CHECKED	S.HATZI
DATE	DEC 2019	DATE	DEC 2019
DESIGN LEADER	S.HATZI	DESIGN DIRECTOR	-
DATE	DEC 2019	DATE	-



STANDARD DRAWING DRAINAGE					
DRAINAGE OUTLET CHUTE RURAL APPLICATIONS - SAFETY BARRIER					
FILE No.	ASSET No.	SHEET No.	DRAWING No.	AMEND.	SHEET SIZE
-	-	1 OF 1	CS3125	1	A1