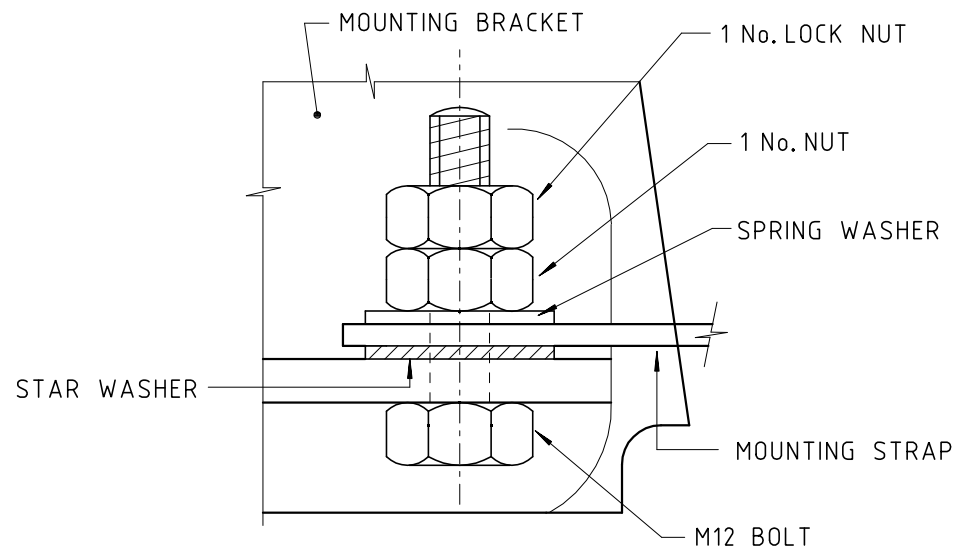
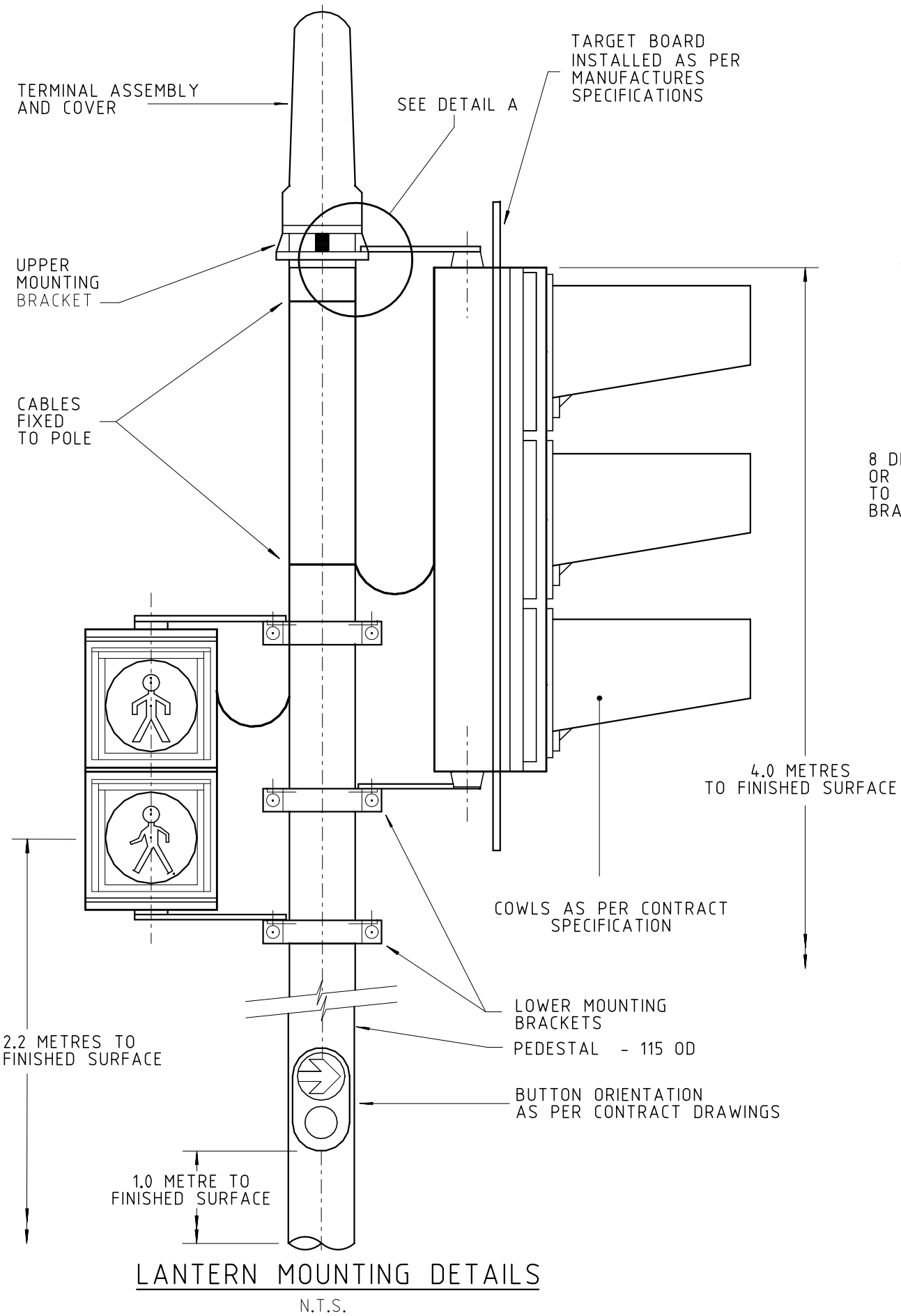
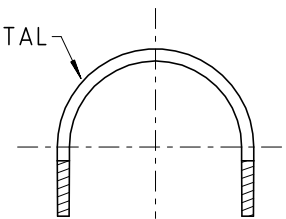


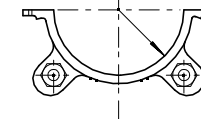
15/03/2010 4:10:20 PM X:\CIVIL STANDARD DRAWINGS\TRAFFIC 6 - CS1500 SERIES STANDARDS\CS1505-2.dgn



8 DIA U-BOLT BRASS OR CAD. PLATED STEEL TO SUIT MOUNTING BRACKET AND PEDESTAL



RADIUS OF POLE 57mm

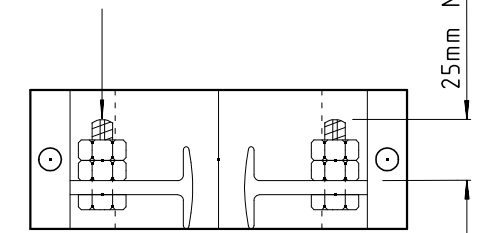


LOWER MOUNTING BRACKET
N.T.S.

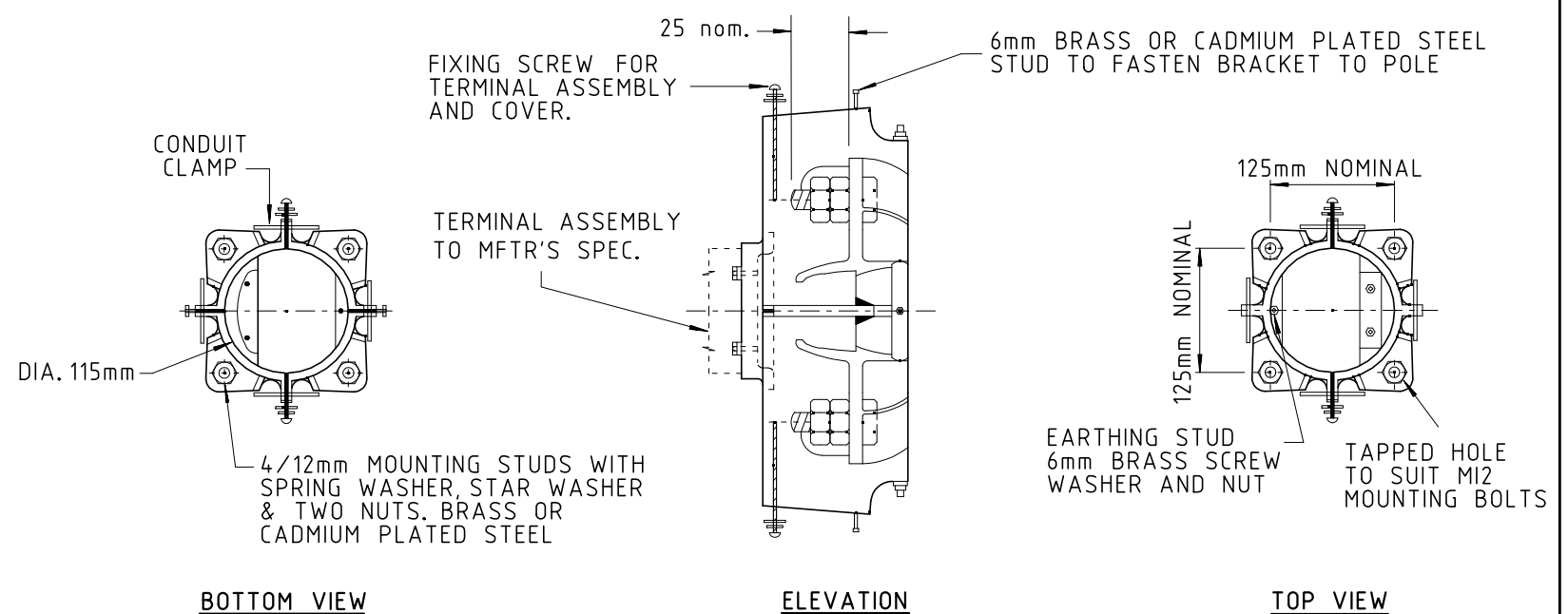
NOTES:

- MOUNTING BRACKETS TO BE CAST ALUMINIUM ALLOY PAINTED AS SPECIFIED.
- FOR FOUR STUD LOWER BRACKETS USE 2/TWO STUD, BACK TO BACK.

12mm MOUNTING STUDS WITH ONE SPRING WASHER & TWO NUTS. BRASS OR CADMIUM PLATED STEEL



FRONT ELEVATION



UPPER MOUNTING BRACKET

WARNING
BEWARE OF UNDERGROUND SERVICES
The locations of underground services are approximate only and their exact position should be proven on site. No guarantee is given that all existing services are shown.

DRAWN	K. SCHULZE	CHECKED	
DATE	1-9-1992	DATE	
DESIGNED		CHECKED	
DATE		DATE	
DESIGN PROJECT LEADER		PROJECT OFFICER	
DATE 20 MAY 2002		DATE	



Department of Construction and Infrastructure

STANDARD DRAWING
SIGNAL DETAILS
LANTERN MOUNTING DETAILS

No.	DESCRIPTION	DATE	INIT.
2.	GOVERNMENT DEPARTMENT LOGOS CHANGED.	3/2010	W.L.
1.	GOVERNMENT DEPARTMENT LOGOS CHANGED.	5/2002	K.S.
AMENDMENTS			

FILE No.	ASSET No.	SHEET No.	DRAWING No.	AMEND.	SHEET SIZE
		1 OF 1	CS1505-2		A3