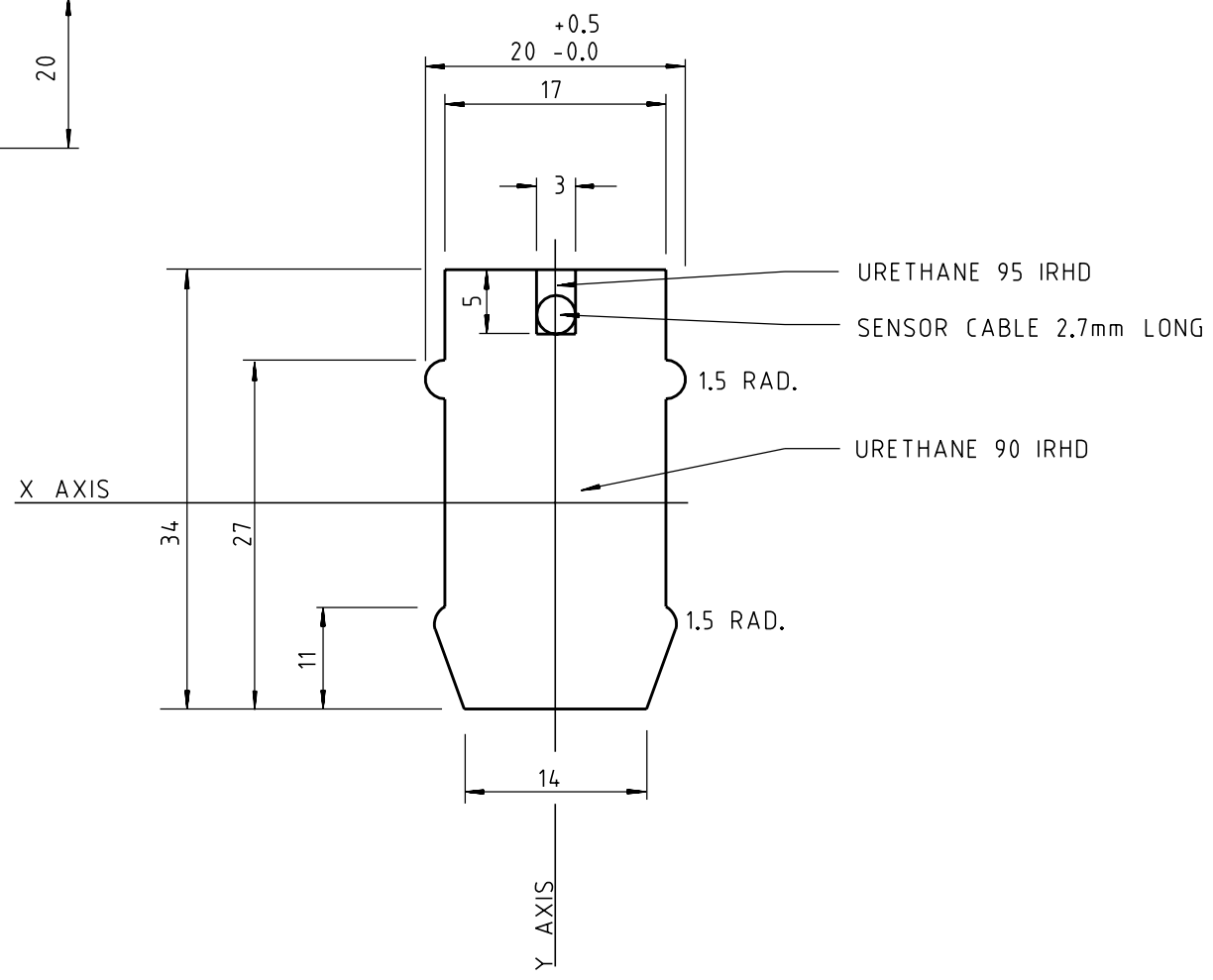
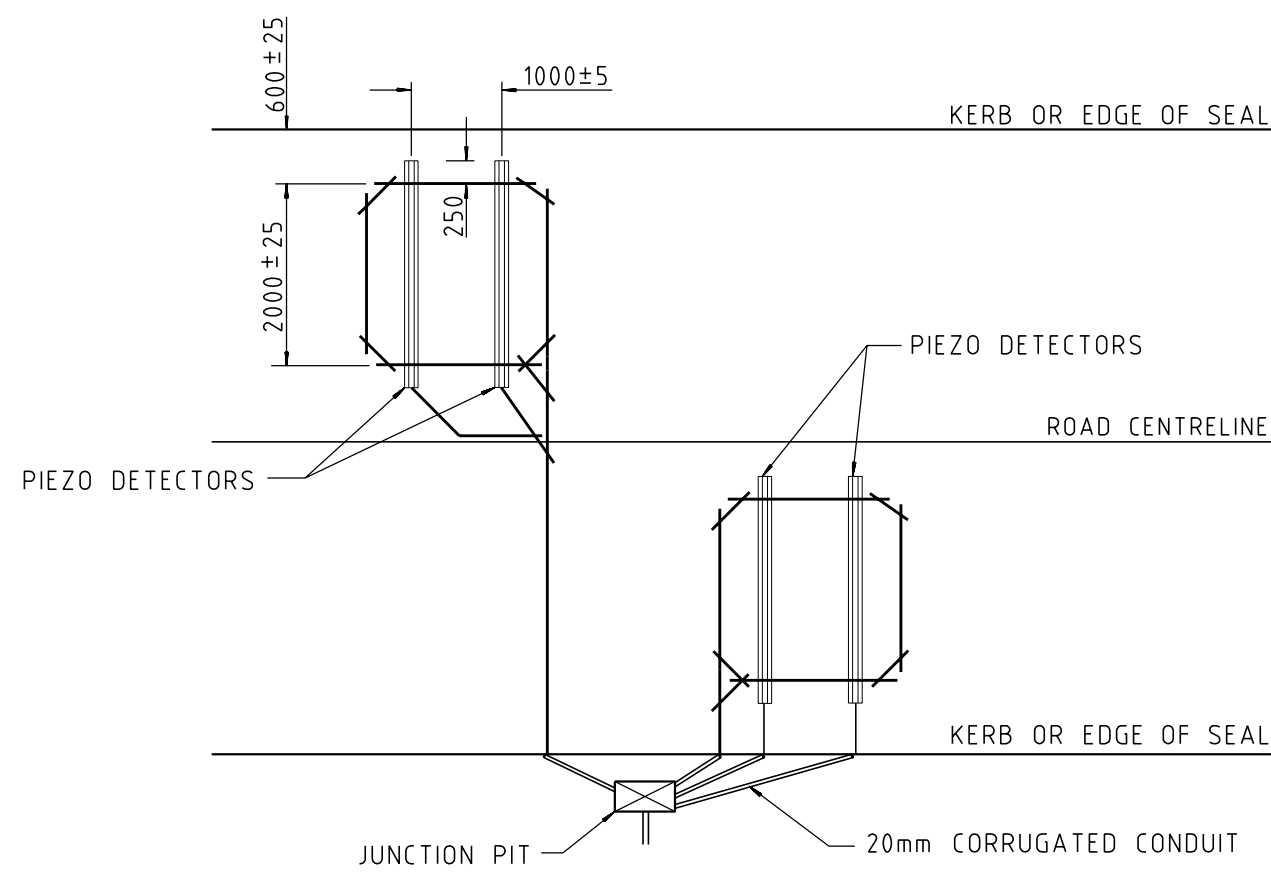


TYPICAL CROSS SECTION OF PIEZO TUBE INSTALLATION
NOT TO SCALE



DETAIL OF PIEZO TUBE
NOT TO SCALE



PLAN OF PIEZO TUBE LAYOUT
NOT TO SCALE

NOTE:

1. THE PIEZO SHALL NOT BE FLEXED ABOUT THE X AXIS BY MORE THAN 50mm ALONG ITS ENTIRE LENGTH.
2. ALL DIMENSIONS ARE IN MILLIMETRES.
3. TOLERANCES:- 0.5mm UNLESS STATED OTHERWISE.

17/06/2002 09:47:44 PM H:\KITS\STANDARDS\5 Traffic\CS1552.dgn

No.	DESCRIPTION	DATE	INIT.
1.	GOVERNMENT DEPARTMENT LOGOS CHANGED.	5/2002	K.S.
AMENDMENTS			

WARNING
BEWARE OF UNDERGROUND SERVICES
The locations of underground services are approximate only and their exact position should be proven on site. No guarantee is given that all existing services are shown.

DRAWN	K. SCHULZE	CHECKED	
DATE	1-9-1993	DATE	
DESIGNED		CHECKED	
DATE		DATE	
DESIGN PROJECT LEADER	<i>M. Klein</i>	PROJECT OFFICER	
DATE	29 MAY 2002	DATE	



STANDARD DRAWING			
TRAFFIC COUNTING STATION - POST MOUNTED			
PIEZO TUBE LAYOUT			
FILE No.	SHEET No.	DRAWING NUMBER	AMEND. SHEET SIZE
	1 OF 1	C(S)1552	1 A1