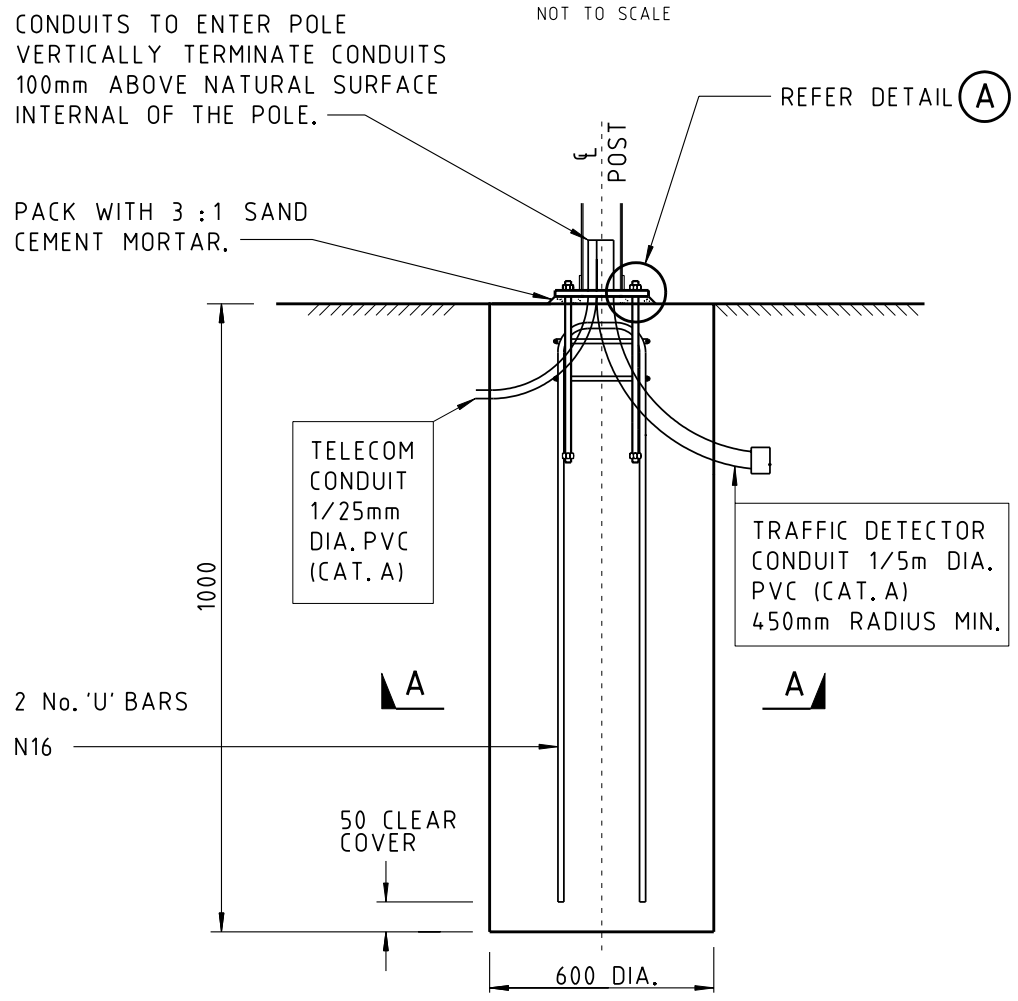
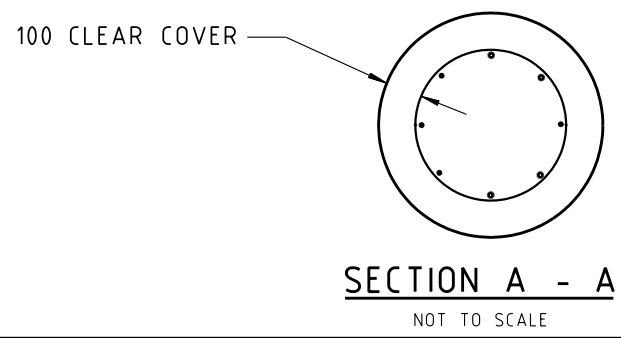


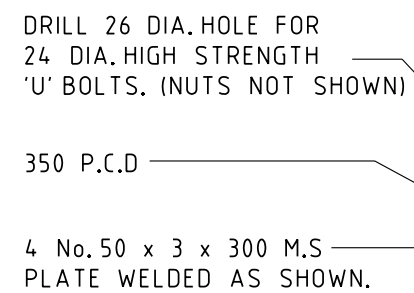
PLAN
NOT TO SCALE



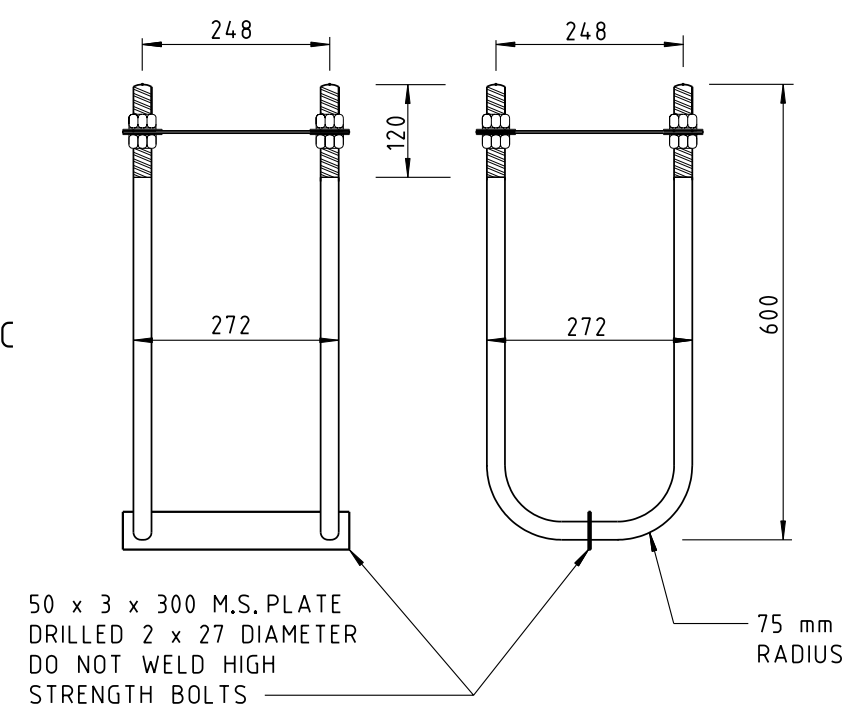
SECTION B - B
BORED PILE FOUNDATION
NOT TO SCALE



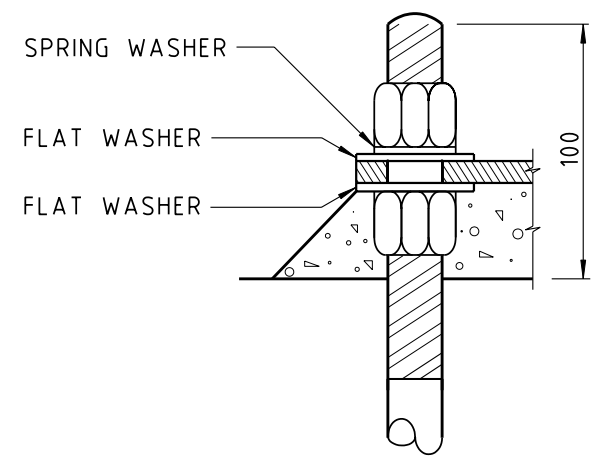
SECTION A - A
NOT TO SCALE



PLAN
NOT TO SCALE



VIEW 'A' **VIEW 'B'**
RAG BOLT ASSEMBLY
NOT TO SCALE



DETAIL (A)
NOT TO SCALE

NOTES

1. GIVE 24 HRS. NOTICE FOR INSPECTION OF EXCAVATIONS
2. FOUNDATION
 - A. THE FOUNDATION SHALL BE BORED TO THE SPECIFIED SIZE AND CONCRETE CAST AGAINST THE BORED SURFACE.
 - B. ALL EXCAVATIONS SHALL BE FREE FROM LOOSE MATERIAL OR WATER AT THE TIME OF PLACING THE CONCRETE.
 - C. COMPACT BASE OF FOUNDATION PRIOR TO POURING CONCRETE
 - D. ALIGN RAG BOLTS SO THAT CABINET WILL BE SQUARE TO ROAD CENTRELINE
3. CONCRETE
 - A. CONCRETE STRENGTH GRADE SHALL BE 25 mPA
 - B. CLEAR COVER TO REINFORCEMENT VARIABLE, REFER TO DRAWINGS FOR DETAILS
 - C. CONCRETE MUST BE VIBRATED WHEN PLACED.
4. REINFORCEMENT.
 - A. STRUCTURAL GRADE REINFORCEMENTS.
20 mm dia. A.S 1302 GRADE 230S
6.3 mm dia A.S.1302 GRADE 230R
5. STEELWORK.
 - A. HIGH STRENGTH BOLTS (24 mm dia) WITH ALL ASSOCIATED NUTS AND WASHERS TO BE IN ACCORDANCE WITH A.S. 1252.
 - B. ALL BOLTS, NUTS AND WASHERS TO BE GALVANISED

NOTE :
DIRECTION OF CONDUITS TO BE MARKED ON FOUNDATION USING APPROVED MARKERS AFFIXED BY EPOXY.
ALIGN CONDUITS AS REQUIRED.

04/01/2005 4:17:07 PM X:\CIVIL STANDARD DRAWINGS\6 TRAFFIC\CIS1553-2.dgn

No.	DESCRIPTION	DATE	INIT.
2.	BAR NOTE UPDATED.	1/05	S.A.
1.	GOVERNMENT DEPARTMENT LOGOS CHANGED.	5/2002	K.S.
AMENDMENTS			

WARNING
BWARE OF UNDERGROUND SERVICES
The locations of underground services are approximate only and their exact position should be proven on site.No guarantee is given that all existing services are shown.

DRAWN	K. SCHULZE	CHECKED	
DATE	1-9-1993	DATE	
DESIGNED		CHECKED	
DATE		DATE	
DESIGN PROJECT LEADER		PROJECT OFFICER	
DATE	29 MAY 2002	DATE	


Northern Territory Government
 Department of Infrastructure, Planning and Environment

STANDARD DRAWING			
TRAFFIC COUNTING STATION - POST MOUNTED			
FOUNDATION DETAILS			
FILE No.	SHEET No.	DRAWING NUMBER	AMEND. SHEET SIZE
	1 OF 1	C(S)1553	2 A1