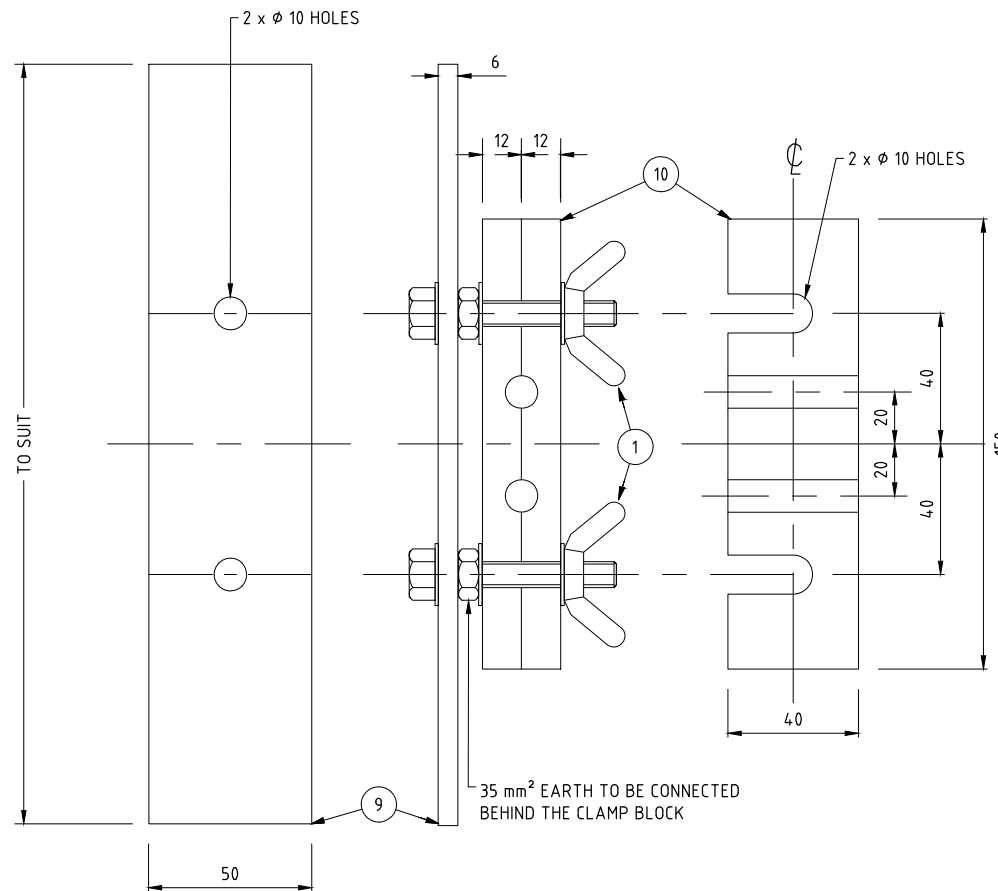
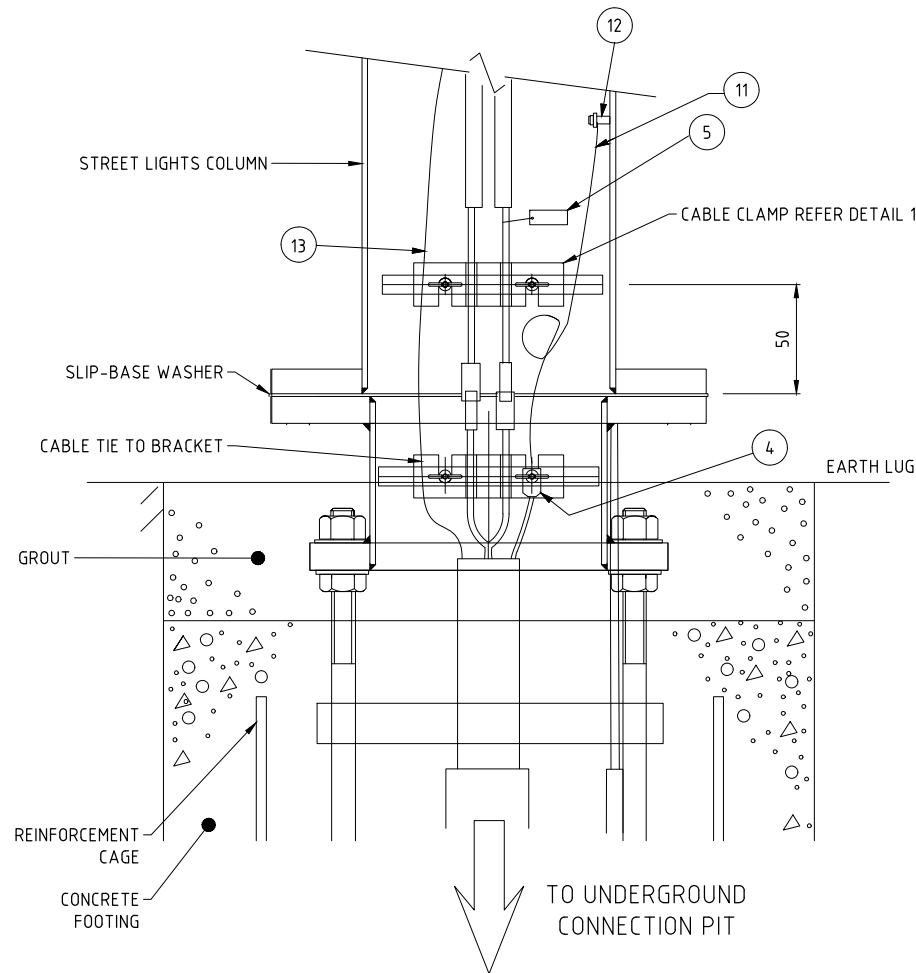


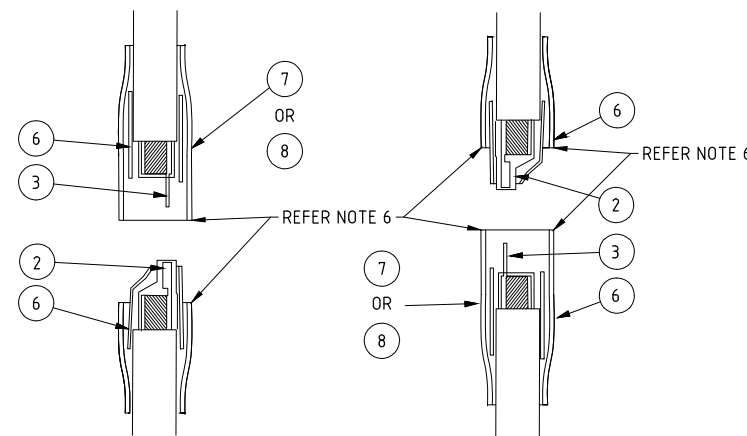
ELECTRICAL DISCONNECTION
NOT TO SCALE



CABLE CLAMP & MOUNTING BRACKET DETAIL 1
NOT TO SCALE



SECTION THROUGH SLIP BASE
NOT TO SCALE



DETAIL 2 ACTIVE, NEUTRAL PLUG AND SOCKET
NOT TO SCALE

MATERIAL SCHEDULE		
ITEM No.	QTY.	DESCRIPTION
1	4	M8 X 50 S/S SET SCREWS, INGNUTS, HALF NUTS
2	2	UTILUX CONNECTION H3562
3	2	UTILUX CONNECTOR H2846
4	1	LUG, COPPER, COMPRESSION, 35 mm ²
5	2	TAG POLYTHENE BLACK NEUTRAL IDENTIFICATION
6	4	SLEEVE, CABLE POLYOLEFIN WITH INNER MASTIC
7	1	TUBING, POLYOLEFIN 13/6, BLACK
8	2	TUBING, POLYOLEFIN 13/6, WHITE
9	2	CABLE CLAMP MOUNTING BRACKET
10	2	CABLE CLAMP
11	0.5 m	Y/GR INSULATED 6 mm ² COPPER EARTH CABLE
12	2	LUGS TO SUIT ITEM 11
13	1	6 mm ² PROTECTIVE EARTH

NOTES :

1. NEUTRAL AND ACTIVE CONDUCTORS ARE TO BE EFFECTIVELY COVERED WITH HEAT-SHRINKABLE TUBING.
2. SLIP-BASE CONNECTORS TO BE ORIENTATED SO THAT SHROUDED MALE PLUG IS ON TOP.
3. END OF FEMALE SOCKET TO BE LOCATED FLUSH WITH SLIP PLANE.
4. NO SLACK TO BE LEFT IN ACTIVE AND NEUTRAL CABLES. EARTH CABLE SHALL HAVE 0.5 m OF SLACK.
5. WHERE DOUBLE LUMINARIES ARE USED, THE TWO CABLES ARE CONNECTED AT THE SWITCH PACK.
6. PLUG AND SOCKET CONNECTIONS REVERSED TO PREVENT CROSS CONNECTION OF PHASES.

No.	DESCRIPTION	DATE	NAME	DEPT/COMPANY
0	ISSUED AS A STANDARD DRAWING	SEP 2025	N.V.	DLI
AMENDMENTS				

WARNING
BEWARE OF UNDERGROUND SERVICES.
THE LOCATIONS OF UNDERGROUND SERVICES ARE APPROXIMATE ONLY AND THEIR EXACT POSITION SHOULD BE PROVEN ON SITE. NO GUARANTEE IS GIVEN THAT ALL EXISTING SERVICES ARE SHOWN.

DRAWN	PWC	CHECKED	T.Berrill
DATE		DATE	
DESIGNED	PWC	CHECKED	T.Berrill
DATE		DATE	
DESIGN LEADER		DESIGN DIRECTOR	
DATE		DATE	



STANDARD DRAWINGS STREETLIGHTING ELECTRICAL				
SLIP-BASE MOUNTED ELECTRICAL CONNECTION DETAILS				
FILE No.	ASSET No.	SHEET No.	DRAWING No.	AMEND.
-	-	1 OF 1	CS3900	0
				SHEET SIZE A1