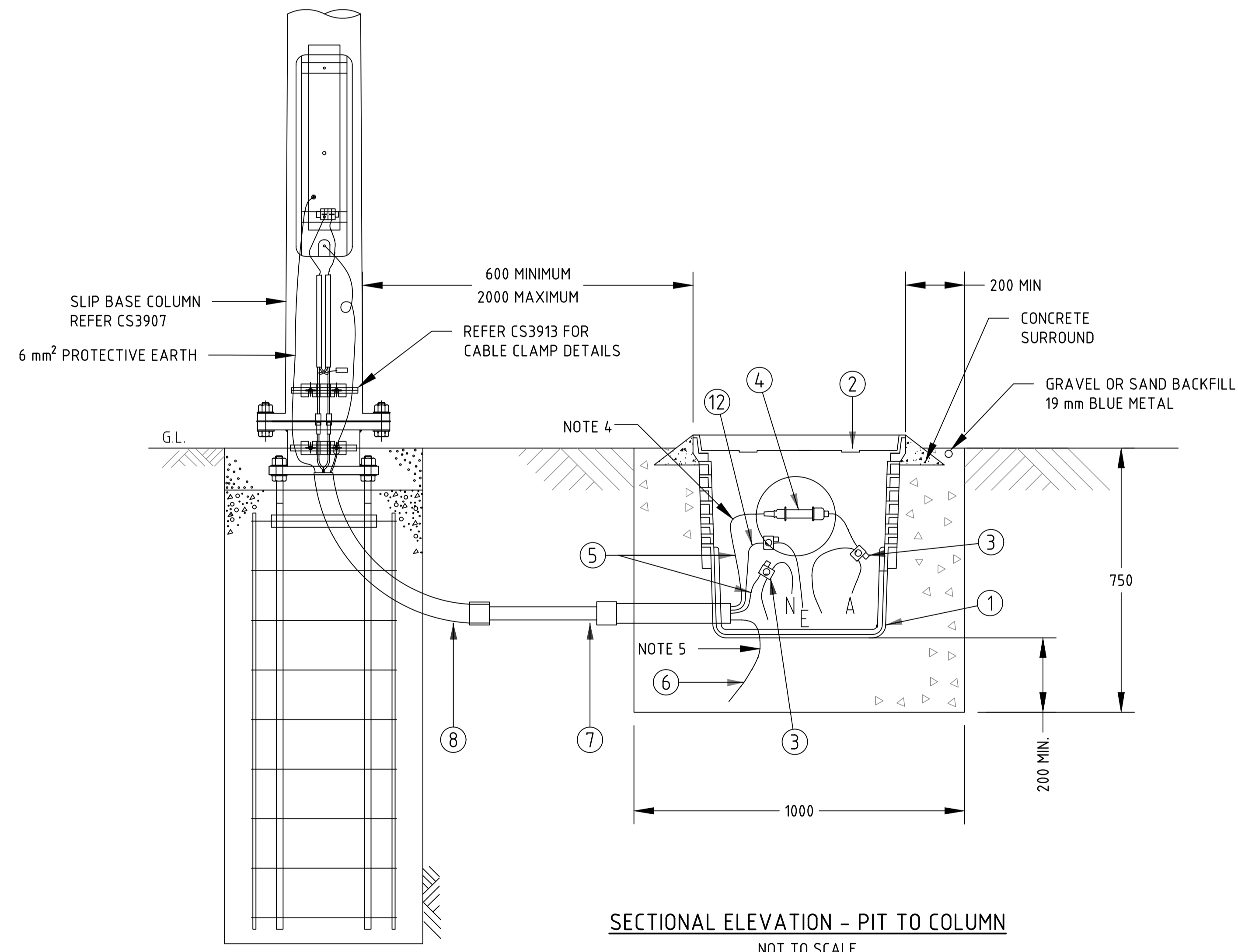


**SECTIONAL ELEVATION - ALONG CABLE ROUTE**  
NOT TO SCALE

MATERIAL SCHEDULE		
ITEM No.	QTY.	DESCRIPTION
1	1	PIT - CABLE JOINTING
2	1	COVER - CABLE JOINTING PIT
3	2	SUBMERSIBLE CONNECTOR 95 / 35
4	1	FUSE - SUBMERSIBLE, 16A
5	AR	CABLE 6 mm <sup>2</sup> . COPPER DIS
6	AR	CONDUCTOR - EARTHING - 35 mm <sup>2</sup> COPPER
7	AR	CONDUIT - 50mm CATEGORY 'A' PVC
8	1	BEND - 50mm CATEGORY 'A' PVC
9	AR	CABLE - 25 mm <sup>2</sup> LV XLPE / NJ / PVC
10	AR	CONDUIT - 80mm CATEGORY 'A' PVC
11	2	'C' CLAMP 35 / 35 CONNECTOR
12	AR	6 mm <sup>2</sup> PROTECTIVE EARTH
13	AR	25 mm <sup>2</sup> INSULATED PROTECTIVE EARTH



**SECTIONAL ELEVATION - PIT TO COLUMN**  
NOT TO SCALE

**NOTES:**

1. REMOVE SACRIFICIAL SHEATH AND NYLON JACKET FOR A DISTANCE OF 30 mm TO ALLOW INSTALLATION OF PIERCING CONNECTOR ON MAINS CONDUCTOR.
2. CUT HOLES IN PIT AS REQUIRED TO SUIT CABLE AND CONDUIT ENTRIES.
3. CONDUITS ARE TO BE CURVED FROM THE NORMAL CABLE DEPTH (750 mm) TO THE BOTTOM OF THE PIT OVER A DISTANCE OF 2500 mm. AREA AROUND THE LID MUST BE RIGIDLY SUPPORTED BY A MIN 150 mm WIDE x 150 mm DEEP CONCRETE SURROUND. THE TOP OF THE CONCRETE SURROUND SHALL BE AT FINAL GROUND LEVEL.
4. MINIMUM LENGTH OF 0.5 m OF EXCESS CABLE SHALL BE STORED INSIDE THE PIT ON BOTH SIDES OF THE SUBMERSIBLE FUSE (ITEM 4).
5. 35 mm<sup>2</sup> CU EARTH CAN BE JOINTED WITH THE PIT USING 'C' CRIMP 35/35 CONNECTOR.

No.	DESCRIPTION	DATE	NAME	DEPT/COMPANY
0	ISSUED AS A STANDARD DRAWING	SEP 2025	N.V.	DLI
AMENDMENTS				

**WARNING**  
BEWARE OF UNDERGROUND SERVICES.  
THE LOCATIONS OF UNDERGROUND SERVICES ARE APPROXIMATE ONLY AND THEIR EXACT POSITION SHOULD BE PROVEN ON SITE. NO GUARANTEE IS GIVEN THAT ALL EXISTING SERVICES ARE SHOWN.

DRAWN	PWC	CHECKED	T.Berrill
DATE		DATE	
DESIGNED	PWC	CHECKED	T.Berrill
DATE		DATE	
DESIGN LEADER		DESIGN DIRECTOR	
DATE		DATE	



STANDARD DRAWINGS STREETLIGHTING ELECTRICAL				
<b>SLIP-BASE MOUNTED SERVICE PIT/POLE BASE - INSTALLATION AND CONNECTION DETAILS</b>				
FILE No.	ASSET No.	SHEET No.	DRAWING No.	AMEND.
-	-	1 OF 1	CS3901	0
				SHEET SIZE A1