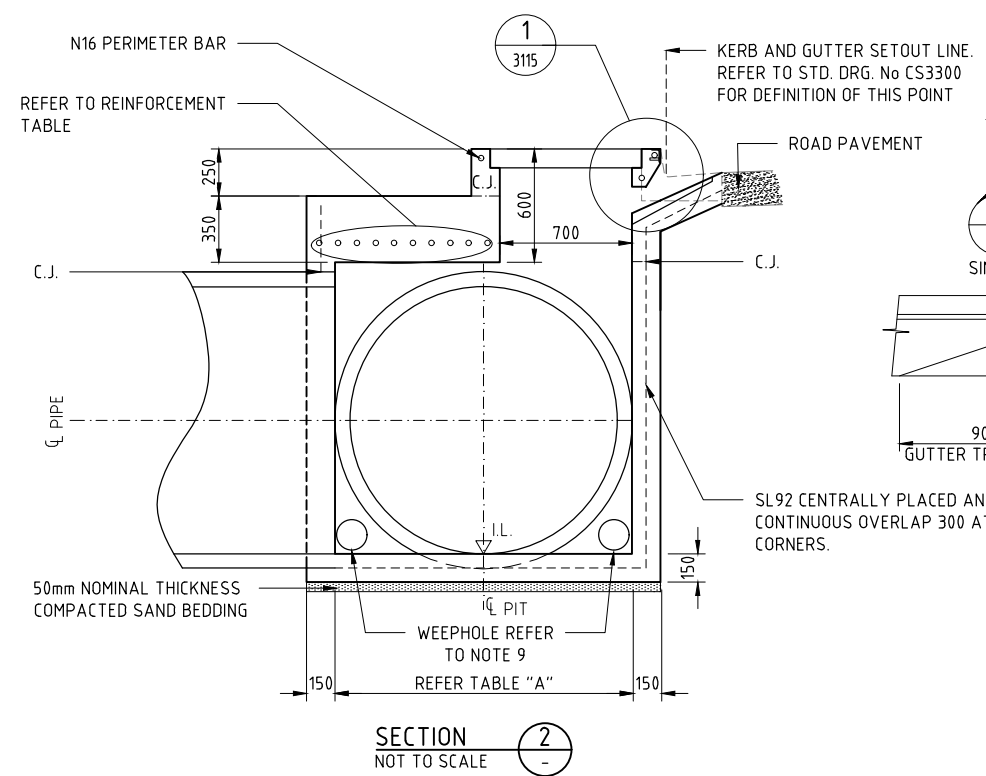
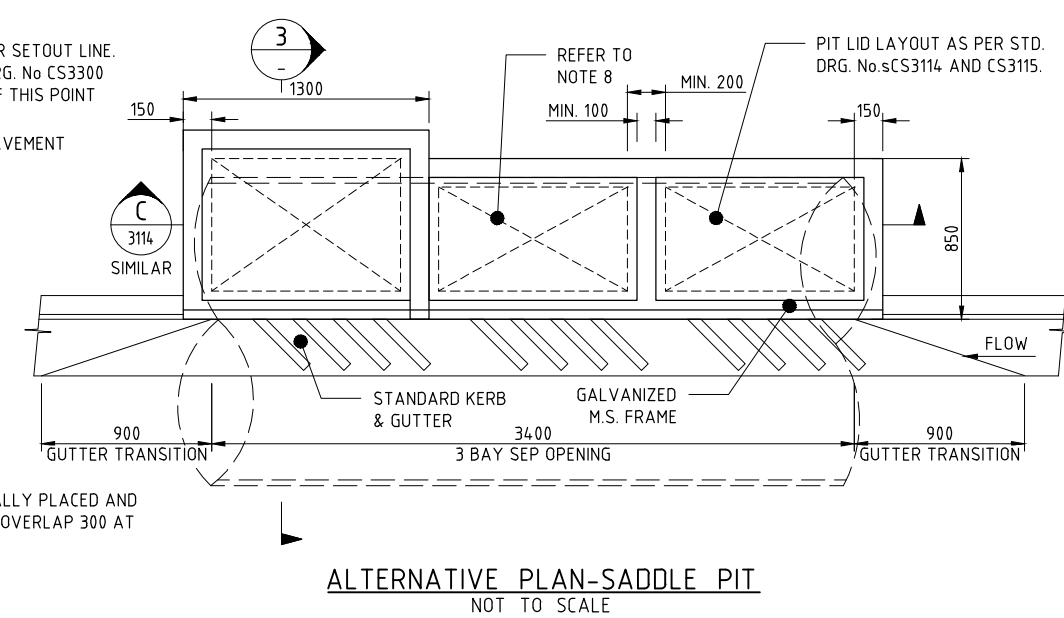


PLAN
NOT TO SCALE

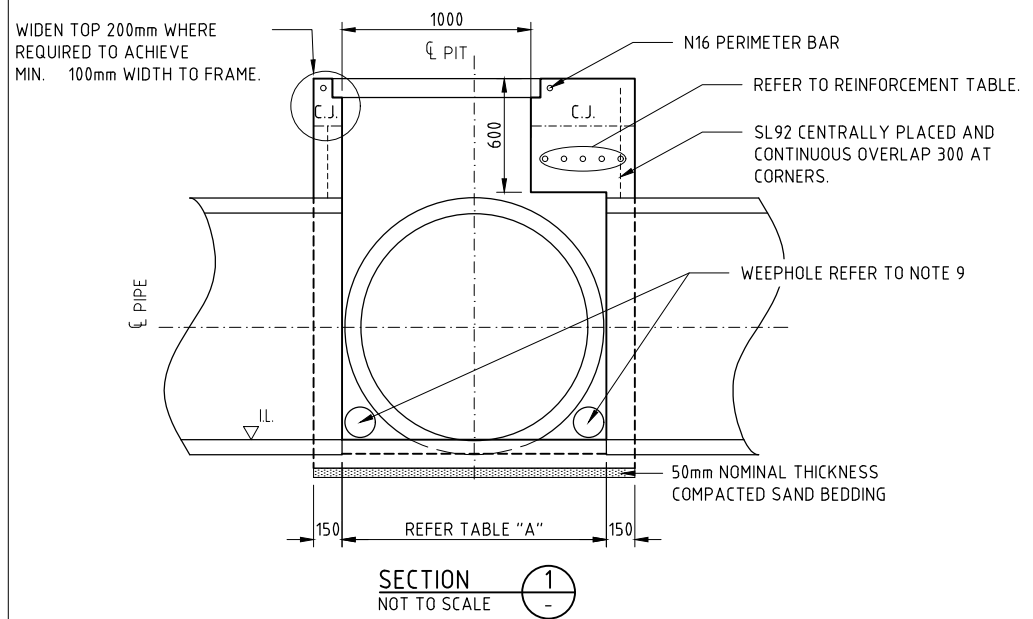


SECTION 2
NOT TO SCALE

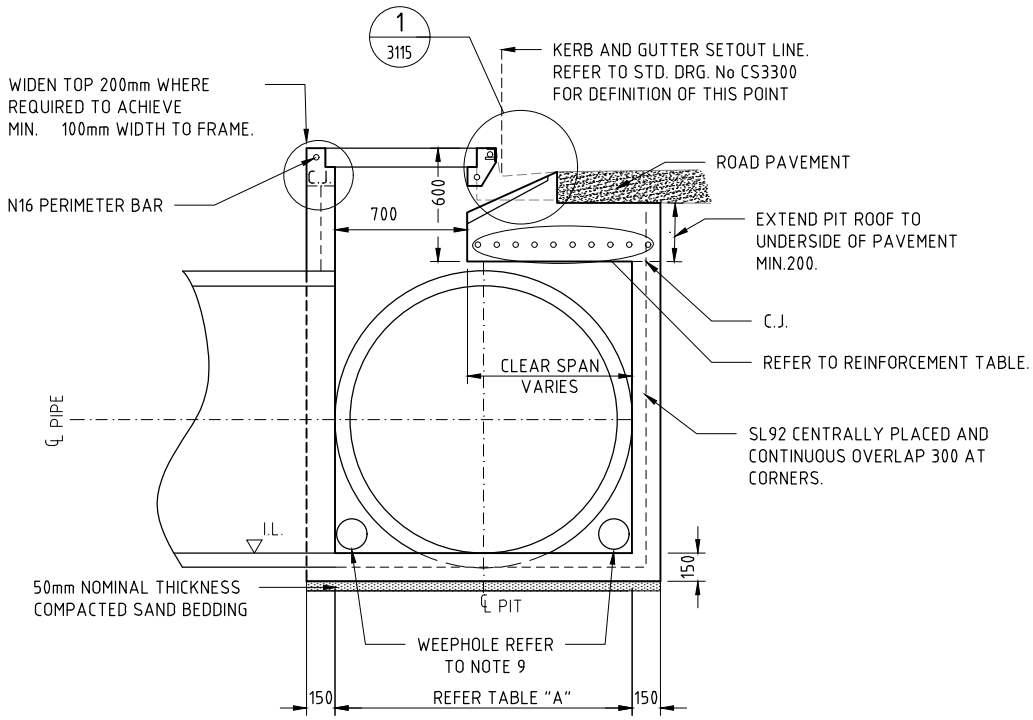
OPTION 1: PIT WIDENING IN VERGE



ALTERNATIVE PLAN-SADDLE PIT
NOT TO SCALE

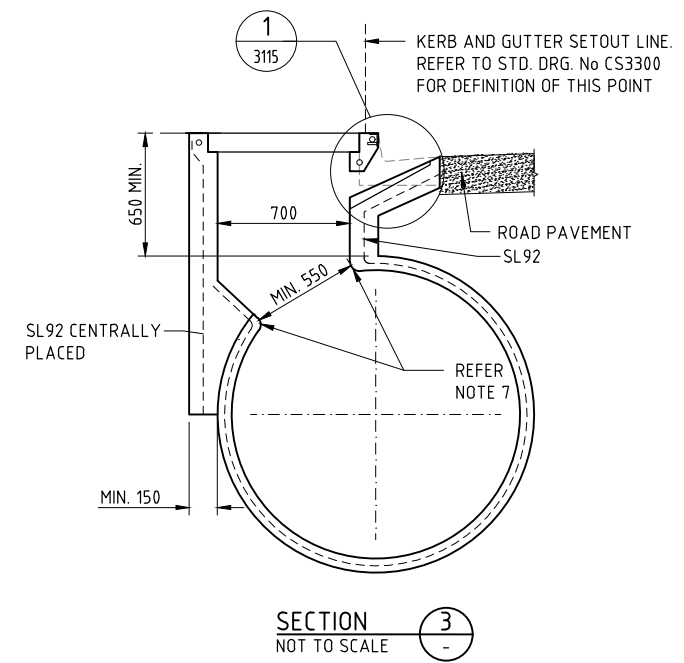


SECTION 1
NOT TO SCALE



SECTION 2
NOT TO SCALE

OPTION 2: PIT WIDENING IN ROAD



SECTION 3
NOT TO SCALE

PIPE SIZE	PIT WIDTH/LENGTH	PIPE SIZE	PIT WIDTH/LENGTH	PIPE SIZE	PIT WIDTH/LENGTH
DN375	REFER CS3114	DN900	1100	DN1950	2250
DN450	REFER CS3114	DN1050	1250	DN2100	2400
DN525	REFER CS3114	DN1200	1550	DN2250	2600
DN600	750	DN1350	1550	DN2400	2800
DN675	800	DN1500	1750	DN2700	3050
DN750	900	DN1650	1900	DN3000	3450
DN825	1000	DN1800	2050	DN3300	3950
				DN3600	4150

TABLE A

REINFORCEMENT TABLE	
CLEAR SPAN OF ROOF (MM) IN DIRECTION OF REINFORCEMENT	REINFORCEMENT
≥1000	N20-100
≤3000	N20-100

- NOTES:**
- USE DETAILS SIMILAR TO THESE WHEN LARGE PIPES ARE USED. AGREE SETOUT, ADDITIONAL REINFORCEMENT AND FINAL DETAILS WITH THE SUPERINTENDENT.
 - VARY SIDE ENTRY PIT CONFIGURATION AS REQUIRED.
 - REFER TO STANDARD DRAWING CS3114 FOR SHEET 1 AND CS3115 FOR SHEET 2.
 - INTERNAL FACES SHALL BE FORMED. ALL OTHER EXTERNAL VERTICAL SURFACES MAY BE CAST AGAINST GROUND IF APPROVED PROVIDED THE GROUND IS COMPACTED.
 - ALL DIMENSIONS ARE IN MILLIMETRES UNLESS NOTED OTHERWISE.
 - ALTERNATIVE TO BE USED ONLY BY APPROVAL.
 - BEND PIPE REINFORCEMENT BACK INTO PIT WALL REMOVE CONCRETE OVER PIPE REINFORCEMENT TO ACHIEVE THIS.
 - REINFORCEMENT IN PRECAST CONCRETE COVER TO BE RL1018.
 - WEEPHOLES SHALL BE PROVIDED ON UPSTREAM SIDE IN ALL PITS. CONNECT 1000 LONG X 100 DIA. SEWER STRENGTH SLOTTED P.V.C. PIPES WITH END CAPS AT EACH WEEPHOLE AND WRAP IN GEOTEXTILE MATERIAL AND BED AS SHOWN. CONNECT TO SIDE DRAIN WHERE APPROPRIATE.
 - WHERE ADDITIONAL SEP BAYS ARE REQUIRED, REFER TO DETAILS ON CS3114.

No.	DESCRIPTION	DATE	NAME	DEPT/COMPANY
1	PIT DETAILS ADDED	MAR 2018	S.JALIL	EES/DIPL
0	ISSUED AS A STANDARD DRAWING	SEPT 2017	J.LEESON	EES/DIPL
AMENDMENTS				

WARNING
BEWARE OF UNDERGROUND SERVICES. THE LOCATIONS OF UNDERGROUND SERVICES ARE APPROXIMATE ONLY AND THEIR EXACT POSITION SHOULD BE PROVEN ON SITE. NO GUARANTEE IS GIVEN THAT ALL EXISTING SERVICES ARE SHOWN.

DRAWN S.JALIL	CHECKED S.HATZI
DATE MAR 2018	DATE MAR 2018
DESIGNED GC	CHECKED GC
DATE NOV 12	DATE FEB 13
DESIGN LEADER S.HATZI	DESIGN DIRECTOR S.JACKSON
DATE 1/09/2017	DATE 1/09/2017



STANDARD DRAWINGS DRAINAGE				
SIDE ENTRY PIT - LOAD CLASS D LARGER PIPE SETOUT - SHEET 3				
FILE No.	ASSET No.	SHEET No.	DRAWING No.	AMEND.
-	-	3 OF 3	CS3116	1
				SHEET SIZE A1