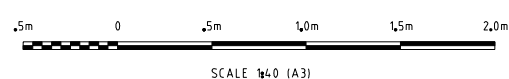
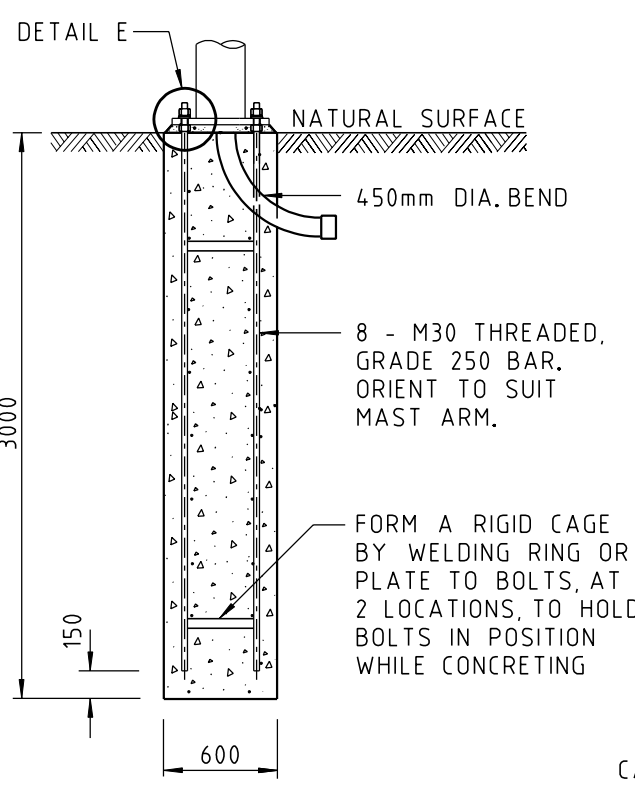


6.5m HIGH MAST ARM WITH 5m OUTREACH

SCALE 1:40

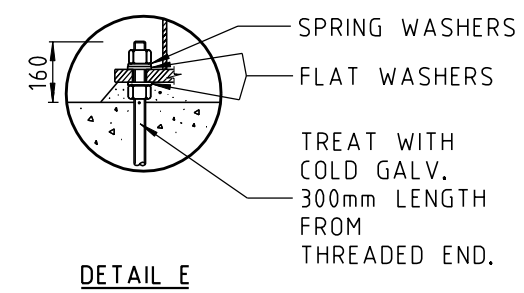


SCALE 1/40 (A3)



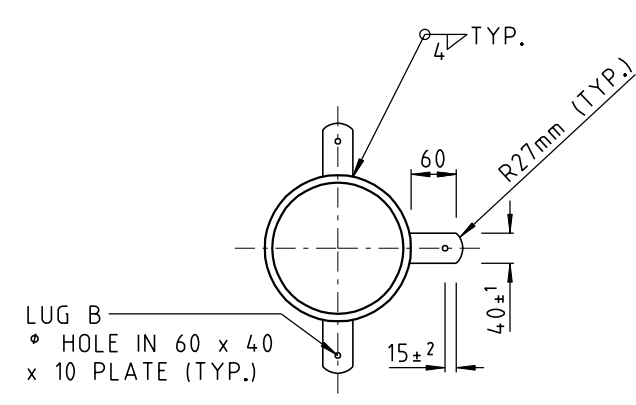
SECTION E

SCALE 1:40



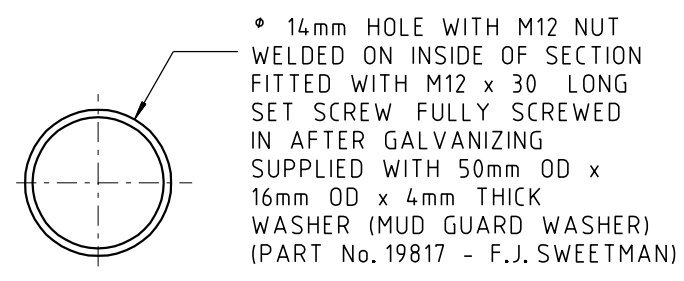
DETAIL E

NOT TO SCALE



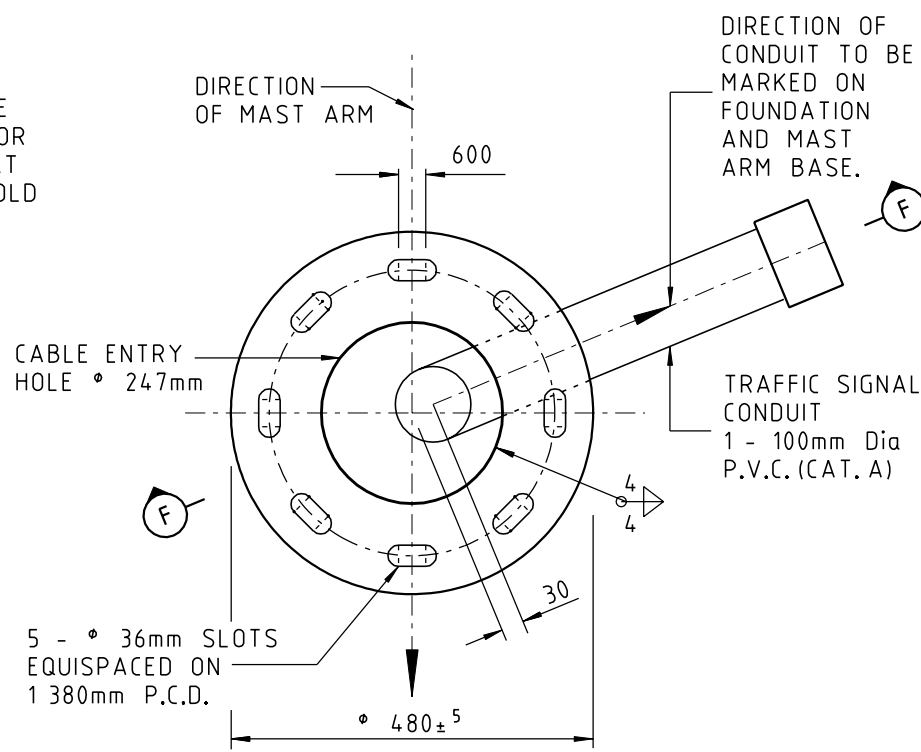
SECTION B

SCALE 1:10



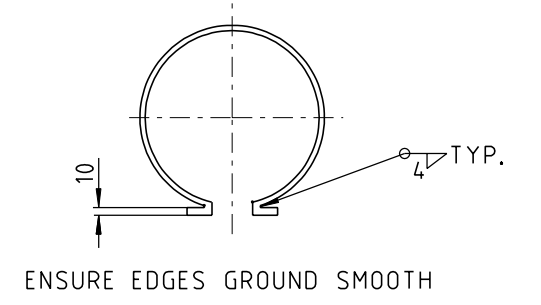
SECTION A

NOT TO SCALE



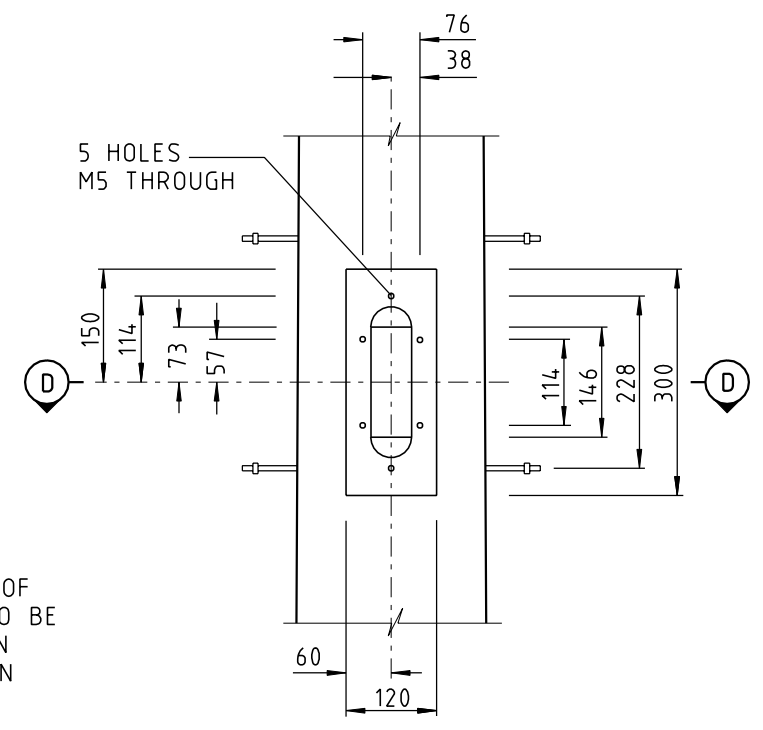
SECTION C

SCALE 1:10



SECTION D

SCALE 1:10



VIEW C

SCALE 1:10

NOTES

1. REFER A.S.2979-89, TYPE 'C' MAST ARM APPLIES.
2. USE N25 CONCRETE.
3. USE A VIBRATOR, PLACE AND COMPACT IN ACCORDANCE WITH A.S.3600.
4. CLEAN THE BORED HOLE OF ALL LOOSE MATERIAL PRIOR TO CASTING CONCRETE.
5. GROUT UNDER BASE PLATES WITH AN APPROVED PROPRIETARY BRAND OF PRE-MIXED, LOW SHRINKAGE, HIGH STRENGTH MORTAR. MIX, HANDLE AND PLACE IN ACCORDANCE WITH MANUFACTURER'S SPECIFICATION.

29/05/2002 14:03:03 AM X:\NTS\STANDARDS\5 Traffic\CS1502-2.DGN

No.	DESCRIPTION	DATE	INIT.
2.	GOVERNMENT DEPARTMENT LOGOS CHANGED.	5/2002	K.S.
1.	NOTE 5 ADDED.	8/97	A.D.
AMENDMENTS			

**WARNING**  
**BEWARE OF UNDERGROUND SERVICES**  
 The locations of underground services are approximate only and their exact position should be proven on site. No guarantee is given that all existing services are shown.

DRAWN	K. SCHULZE	CHECKED	
DATE	1-9-1992	DATE	
DESIGNED		CHECKED	
DATE		DATE	
DESIGN PROJECT LEADER		PROJECT OFFICER	
DATE	20 MAY 2002	DATE	

  
**Northern Territory Government**  
 Department of Infrastructure, Planning and Environment

<b>STANDARD DRAWING</b>		FILE No.	SHEET No.	AMEND.	SHEET SIZE
<b>SIGNAL DETAILS</b>			1 OF 1	2	A1
<b>MAST ARM FOUNDATION</b>		DRAWING NUMBER	C(S)1502		